

BOM Table				
ITEM NO.	PART NUMBER	DESCRIPTION	VENDOR	QTY.
1	842-0077-0004	Bottenplatta reverseringsventil 76	Pivacsyd AB	1
2	842-0077-0001	Plastdetalj Slide reverseringsventil 76	Pivacsyd AB	1
3	842-0077-0003	L-profil styrning till reverseringsventil 76,1	Pivacsyd AB	1
4	0912D2_5_18-mattssons	MC6S Dacromet	Mattssons	2
5	0912D2_4_16-mattssons	MC6S Dacromet	Mattssons	8
6	0912D2_5_18-mattssons	MC6S Dacromet	Mattssons	12
7	r422001365	Cylinder 32-100 styrd	Pivacsyd AB / Logicsystem	1
8	842-0077-0002	Cylinderinfästning bakre	Pivacsyd AB	2
9	842-0077-0005	Cylinderinfästning kolvstång	Pivacsyd AB	1
10	842-0077-0006	Skyddsplåt Reverseringsventil 76	Pivacsyd AB	1
11	7010_06_10	Strypbackventil 6-1/8"	Pivacsyd AB	2
12	872-0005	rfstos 76,1 växlingsventil	Pivacsyd AB	3
13	842-0077-0007	klämskydd stös	Pivacsyd AB	2

Tolerans enl SS ISO 2768-m

APPR. WEIGHT Kg VIEW E

CONTRACT NO
218557

DRAWN JF DATE 140723

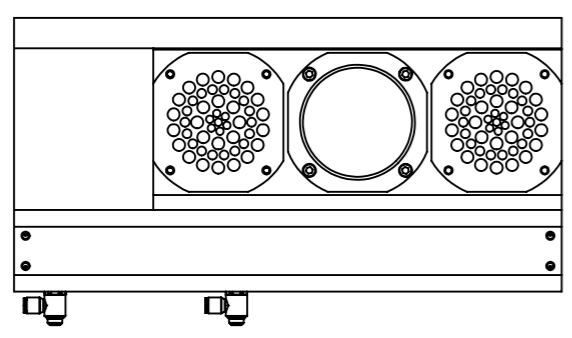
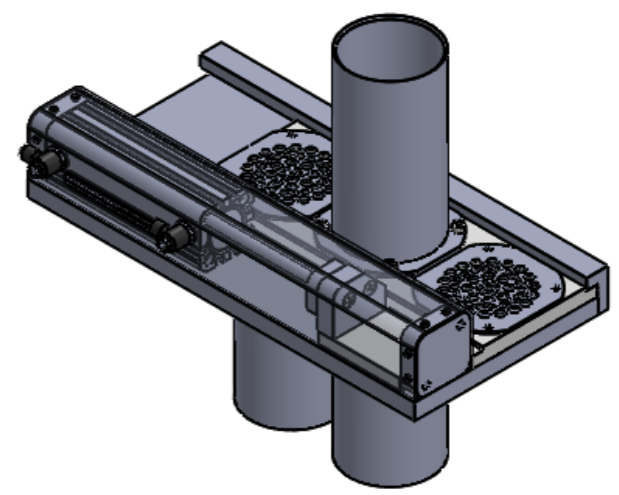
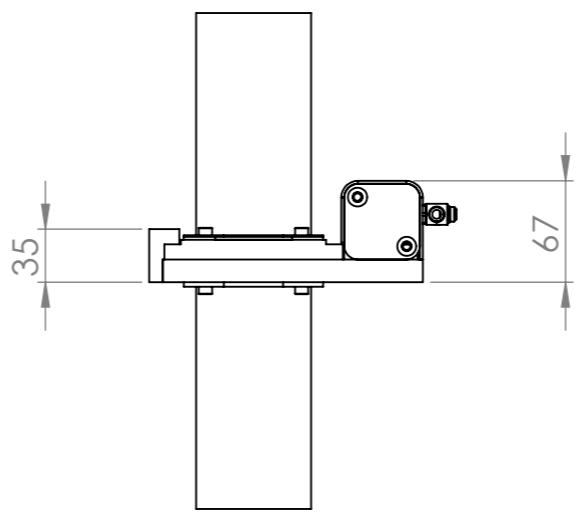
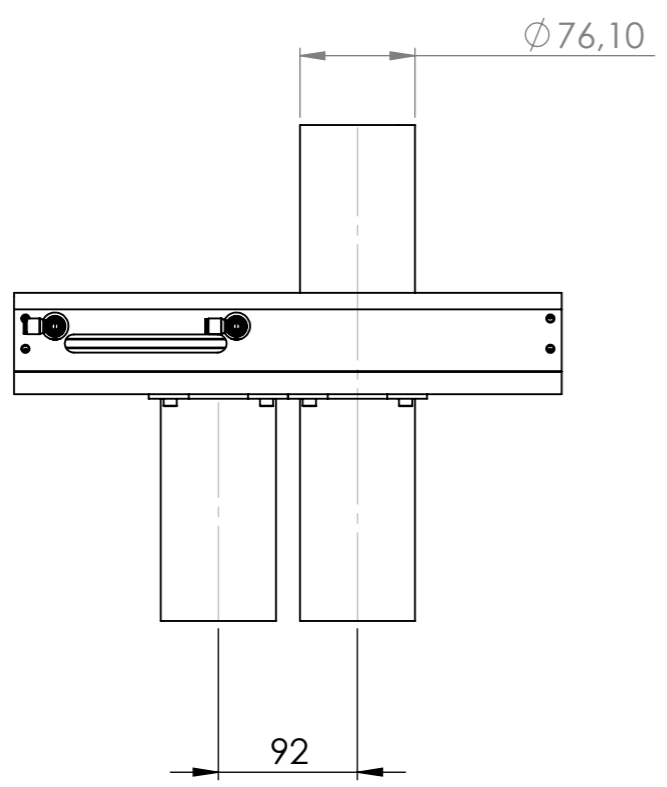
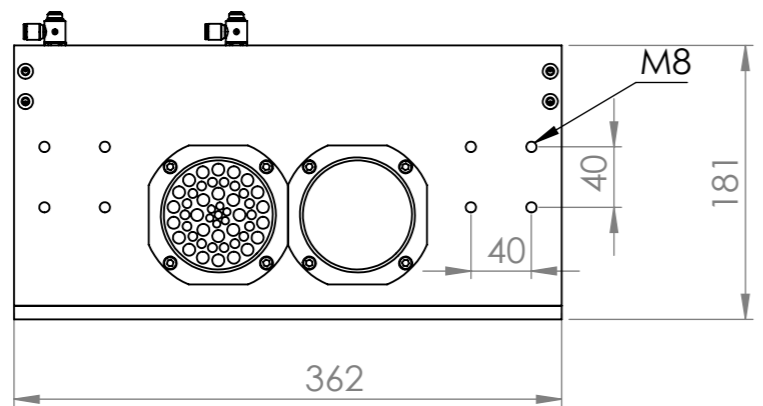
Pi-Vac Syd AB

Sammanställning Reverseringsventil 76

SIZE A3 DWG NO 842-0077 REV

SCALE 1:2 SHEET 1 OF 2

This document must not be copied or used in any other way without written permission from Pi-Vac Syd AB. If you are a customer or supplier, please communicate this document to any other person or company.



Tolerans enl SS ISO 2768-m	
APPR. WEIGHT Kg	VIEW E
CONTRACT NO Standard	
DRAWN JF	DATE 140802

Reverseringventil 76		
SIZE A3	DWG NO 842-0077	REV

Pi-Vac Syd AB

SCALE 1:5	SHEET 2 OF 2	
--------------	--------------	--

This document must not be copied or used in any other way without written permission from Pi-Vac Syd AB. It is a property of Pi-Vac Syd AB and must be returned to the company to communicate this document to any other person or company.