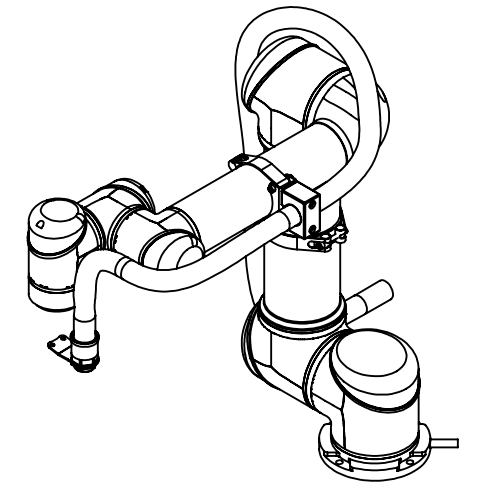
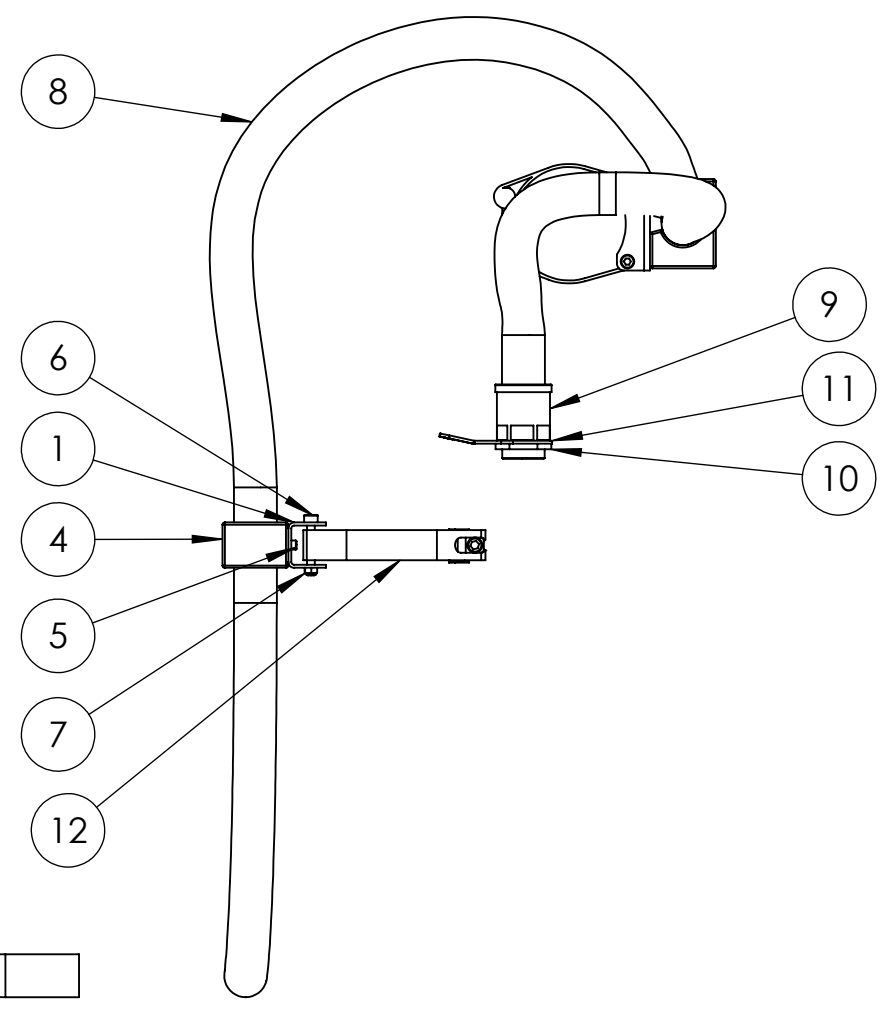
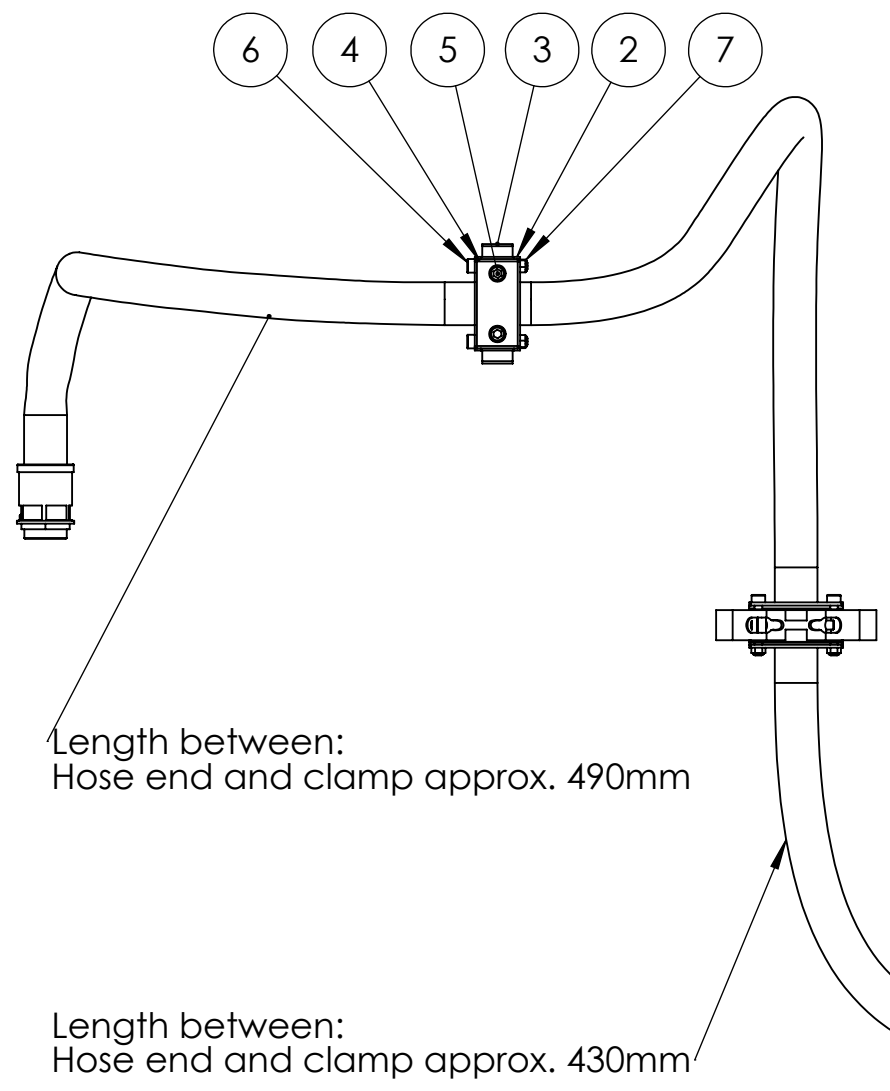


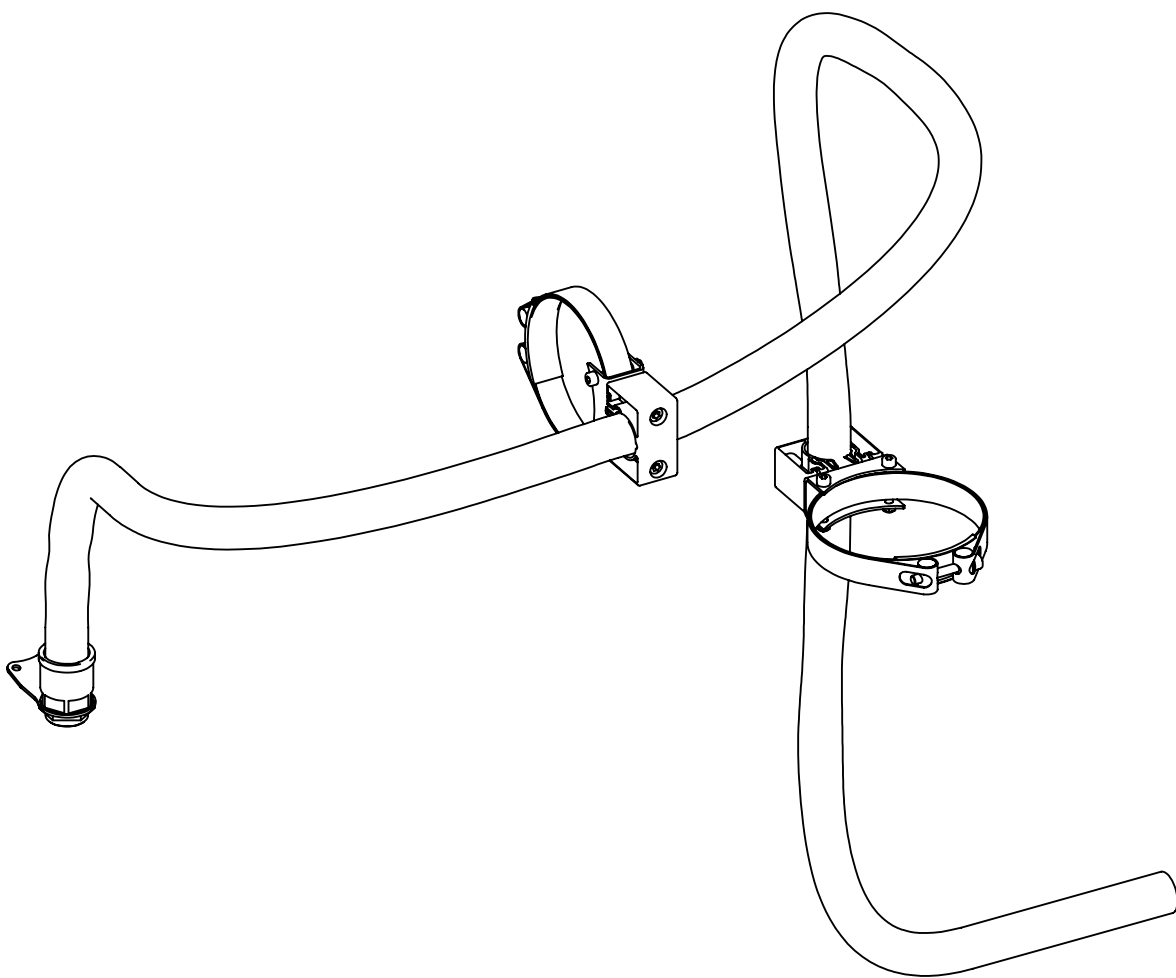

We reserve rights in this document and in the information contained therein. Reproduction use or disclosure to third parties without express authority is strictly forbidden. Robot System Products

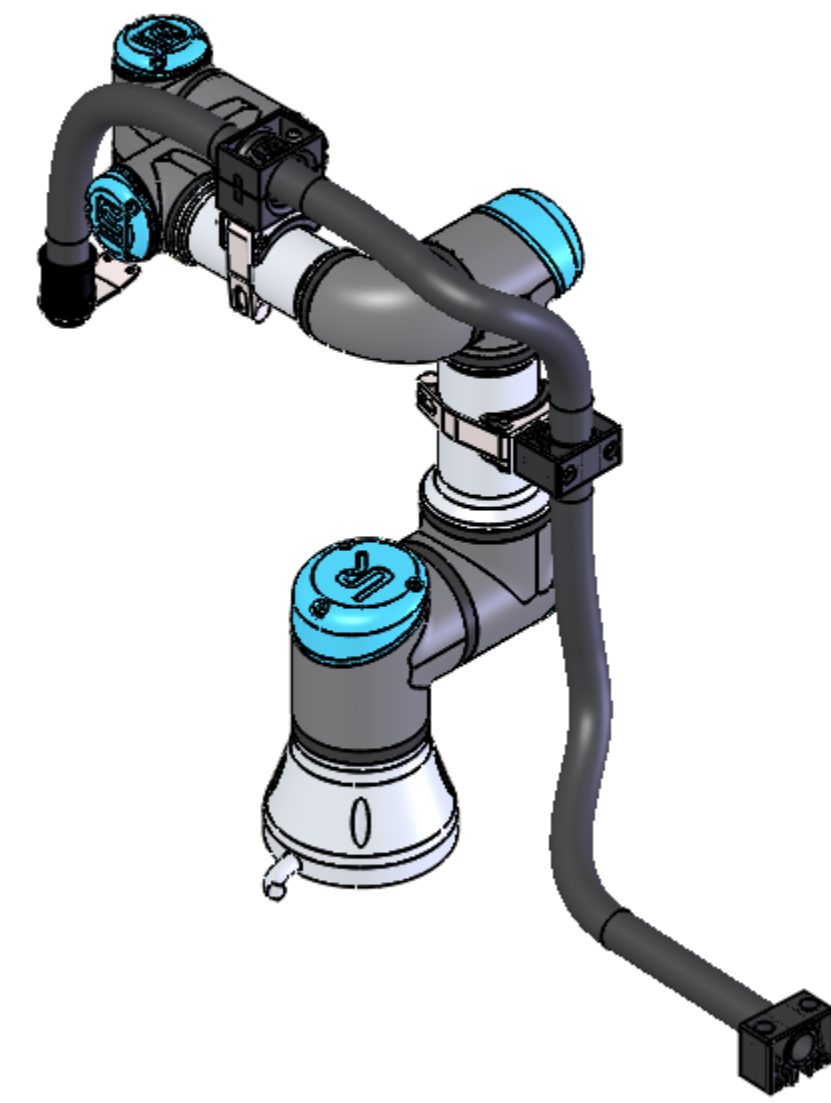
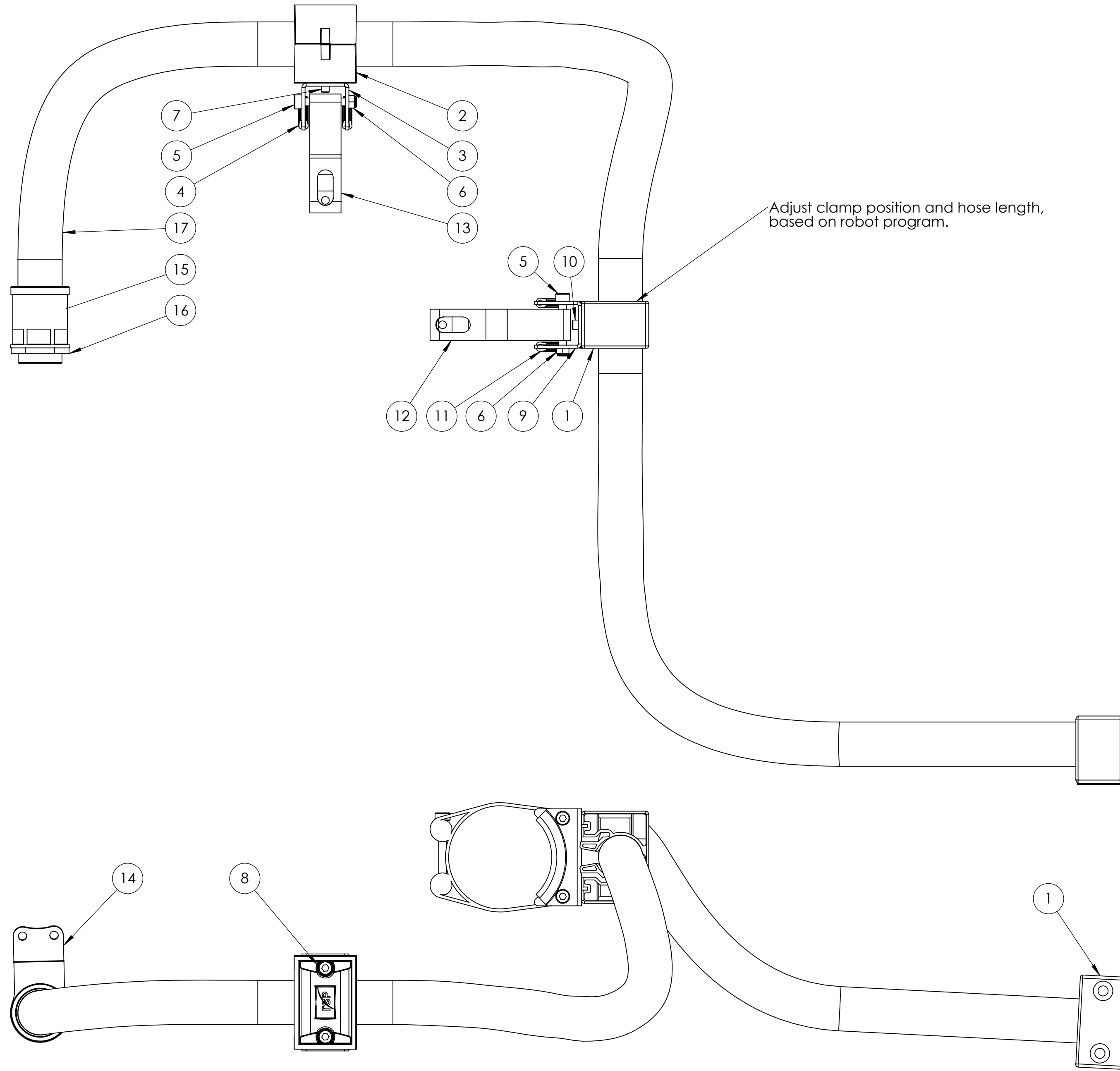
ZONE	REV.	DESCRIPTION	DATE	APPROVED
------	------	-------------	------	----------



Där ej annat angivits gäller / Unless otherwise stated the following applies:		Material	Ämne / Blank	
Tolerans / Tolerance:	ISO 2768-m	Värme behandling / Heat treatment		
Ytjämnhet / Surface roughness:	3,2	Ytbehandling / Surface coating		Ritningsmått gäller efter ytbehandling. / Meas. valid after coated surfaces
Gradningsklass enligt / Burring class acc. to:	0,3x45	Benämning		
Konstruerad av / Designed by	MTh 2011-09-22	Universal Robots		
Ändrad av / Changed by		Skala / Scale		Description
Godkänd av / Approved by		1:5		Hose package, Empty
		Vikt / Weight	Filnamn / Filename	
		0,8 kg	A0214-186A	
Format		Dokument nr. / Document no.		Ändr. / Alt.
A3		P2501		Blad / Sheet
				A 1(1)

We reserve rights in this document and in the information contained therein.
 Reproduction use or disclosure to third parties without express authority
 is strictly forbidden. Robot System Products

1	2	3	4	5	6	7	8		
				ZONE	REV.	DESCRIPTION	DATE	CHANGED	APPROVED
									
						Material			
				Tolerance:		Heat treatment / Surface coating			
				Surface roughness: ✓					
				Burring class acc. to:					
				Measures valid after treatment / coating		Circuit diagram		Filename	
				Designed by MTh		Scale 1:5		A0214-195A	
				2012-03-16		Description Hose package			
				Approved by		Weight 1,2kg			
						Format A3		Item no. P2502	
						Rev. A		Sheet 1(1)	



We reserve rights in this document and in the information contained therein. Reproduction or distribution of this document without express authority is strictly forbidden. Robot System Products

Där ej annat angivits gäller / Unless otherwise stated the following applies:		Material		Ämne / Blank	
Tolerans / Tolerance: ISO 2768-m		Värme behandling / Heat treatment			
Ytjämnhet / Surface roughness: 3,2		Ytbehandling / Surface coating			
Gradningsklass enligt / Burring class acc. to: 0,3x45		Ritningsmått gäller efter ytbehandl. / Meas. valid after coated surfaces			
Konstruerad av / Designed by: MTh 2015-08-11		Skala / Scale: 1:2		Benämning: Universal Robots UR3	
Ändrad av / Changed by:		Vikt / Weight: 1,1 kg		Description: Hose package, Empty	
Godkänd av / Approved by:		Format: A2		Filnamn / Filename: A0214-241A	
		Dokument nr. / Document no.: P2509		Ändr. / Alt.: A Blad / Sheet: 1(1)	