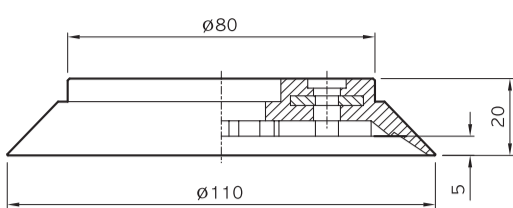
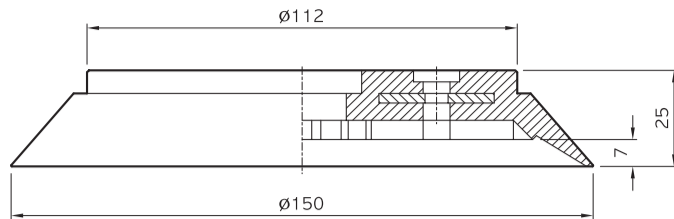


Suction cups MF110, MF150

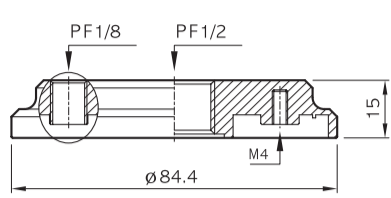
(ONLY RUBBER) MF110



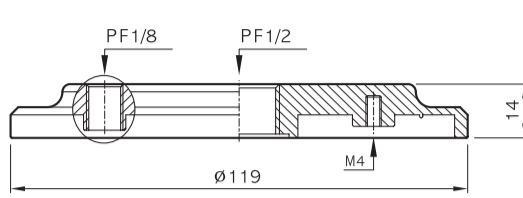
(ONLY RUBBER) MF150



(FITTING)

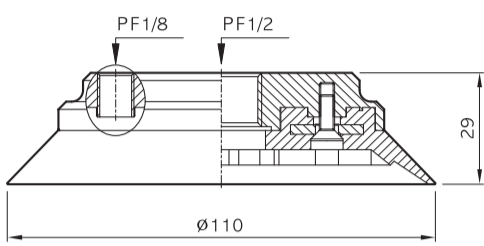


12F-2

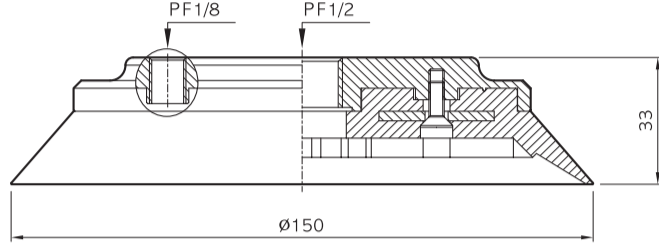


12F-3

(Suction cup with fitting)



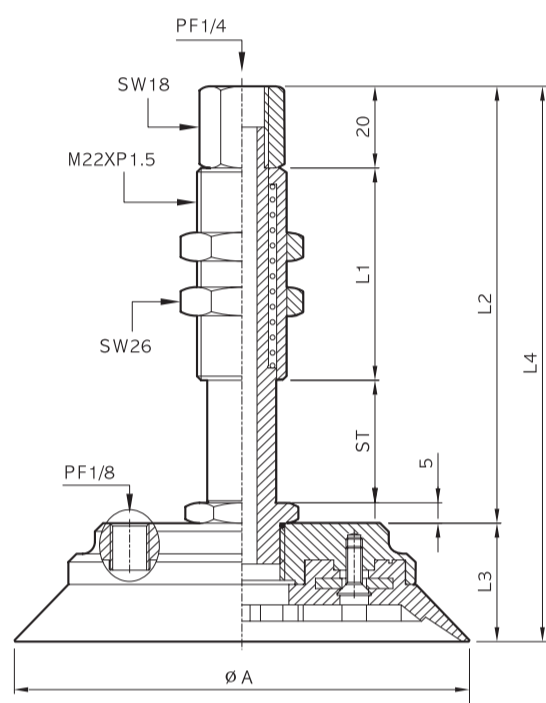
MF110-(N)-12F



MF150-(N)-12F

Suction cups MF110, MF150

(With spring plunger)



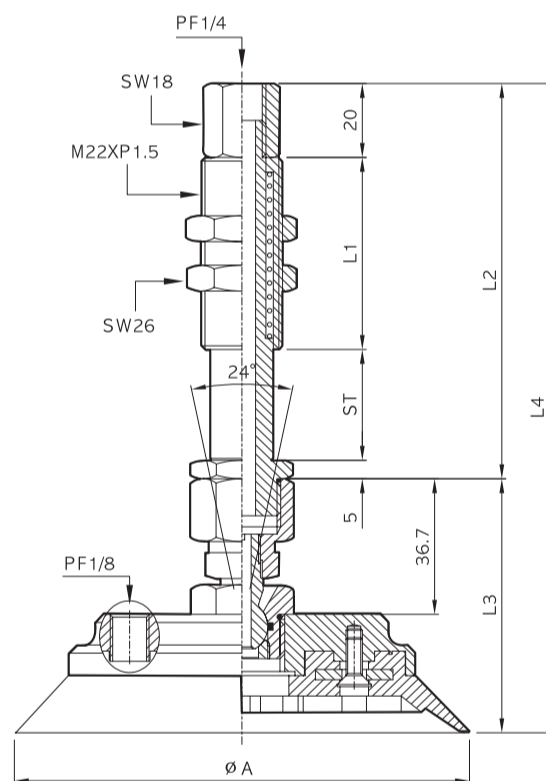
SPRING PLUNGER — SP 1230-V (30 Stroke)

| VACUUM PAD | ∅A | L1 | L2 | L3 | L4 | ST |
|------------|------|----|-----|----|-----|----|
| MF 110 | ∅110 | 52 | 107 | 29 | 136 | 30 |
| MF 150 | ∅150 | 52 | 107 | 33 | 140 | 30 |

SPRING PLUNGER — SP 1250-V (50 Stroke)

| VACUUM PAD | ∅A | L1 | L2 | L3 | L4 | ST |
|------------|------|----|-----|----|-----|----|
| MF 110 | ∅110 | 73 | 148 | 29 | 177 | 50 |
| MF 150 | ∅150 | 73 | 148 | 33 | 181 | 50 |

(Spring plunger with Ball joint)



SPRING PLUNGER SP 1230-V (30 Stroke)

| VACUUM PAD | ∅A | L1 | L2 | L3 | L4 | ST |
|------------|------|----|-----|-------|-------|----|
| MF 110 | ∅110 | 52 | 107 | 98.7 | 205.7 | 30 |
| MF 150 | ∅150 | 52 | 107 | 115.7 | 222.7 | 30 |

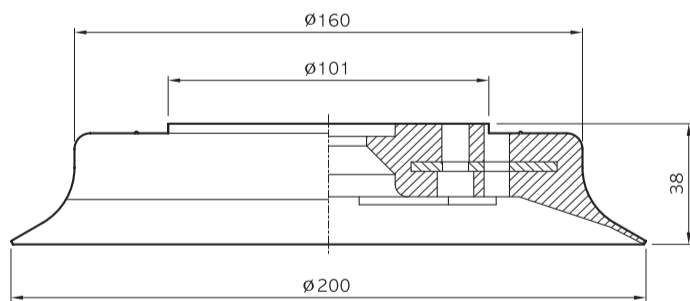
SPRING PLUNGER SP 1250-V (50 Stroke)

| VACUUM PAD | ∅A | L1 | L2 | L3 | L4 | ST |
|------------|------|----|-----|------|-------|----|
| MF 110 | ∅110 | 73 | 148 | 65.7 | 213.7 | 50 |
| MF 150 | ∅150 | 73 | 148 | 69.7 | 217.7 | 50 |

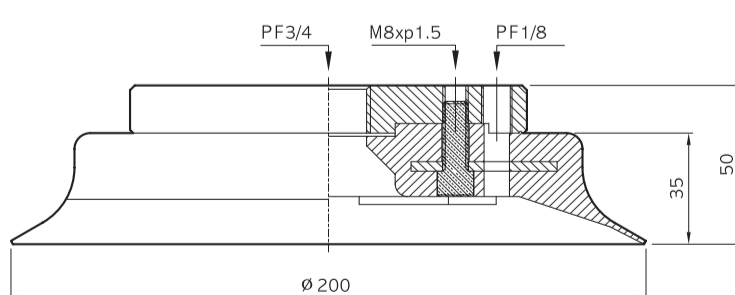
❖ Ball joint Model : MBJ 12

Suction cups MF200

(ONLY RUBBER) MF200



(Suction cup with fitting) MF200-(N)-34F



(Fitting) 34F-1

