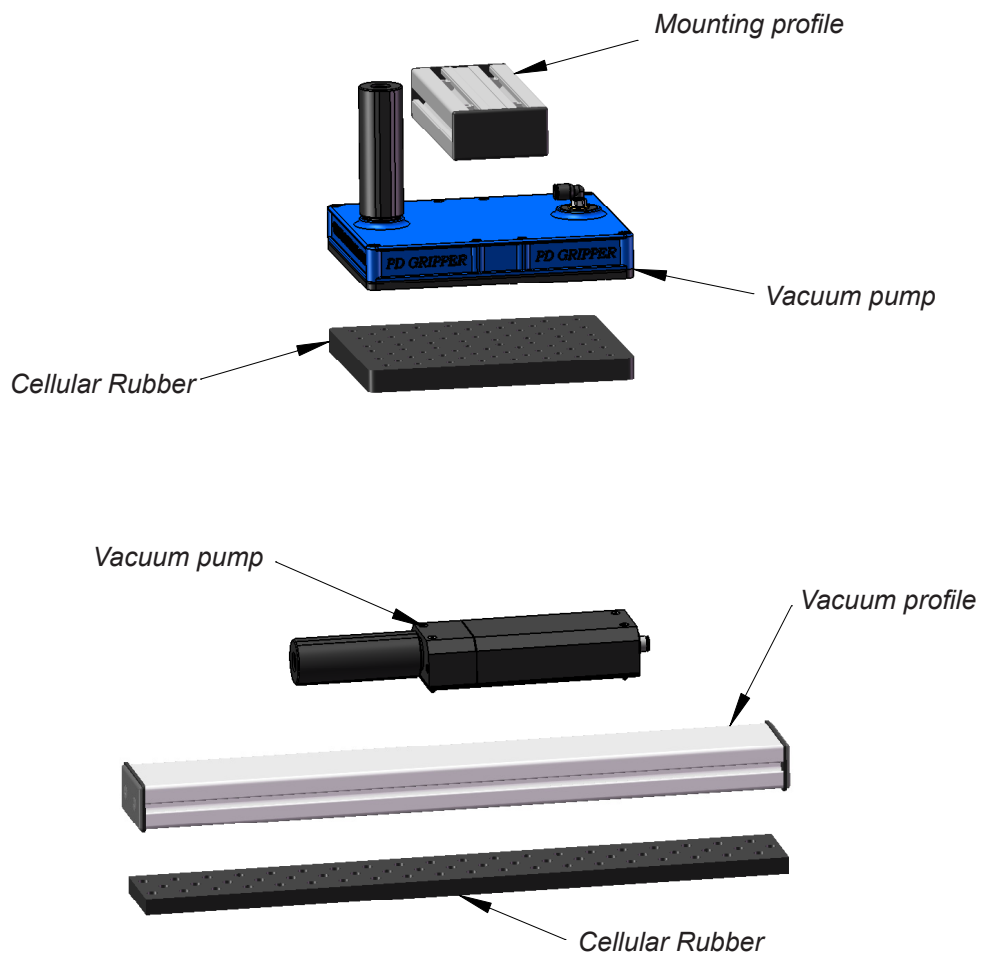


	Page
Design	1
Overview	2
Dimensions	3,4
Technical Data	5

The PD Gripper is a vacuum tool, which you can use as a manual tool or as a build-in module. There are five different models, configurable to handle almost any type of product.

The basic principle between the different models are the same - compressed air is converted into vacuum and together with the soft cellular rubber it is possible to handle material without damaging it.

The cellular rubber makes it possible to handle larger and rougher surfaces. *(Cellular is a porous material in EPDM, which is not suitable for wet surfaces nor oily environments.)*

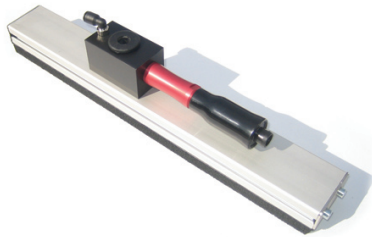




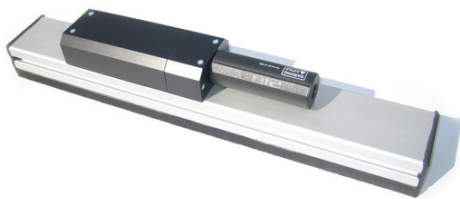
PDG500



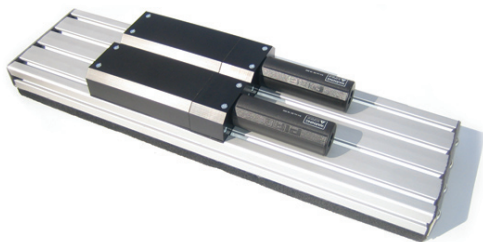
PDG456



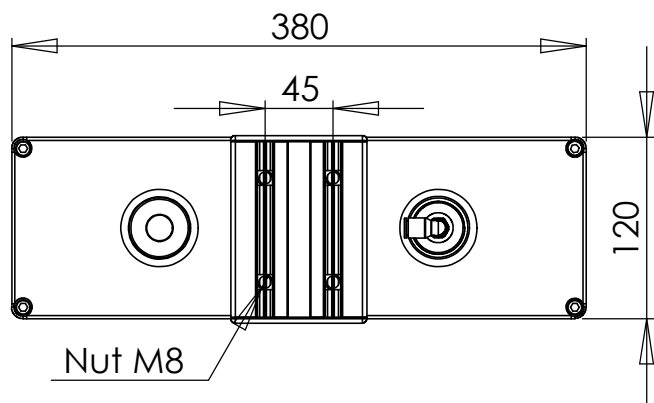
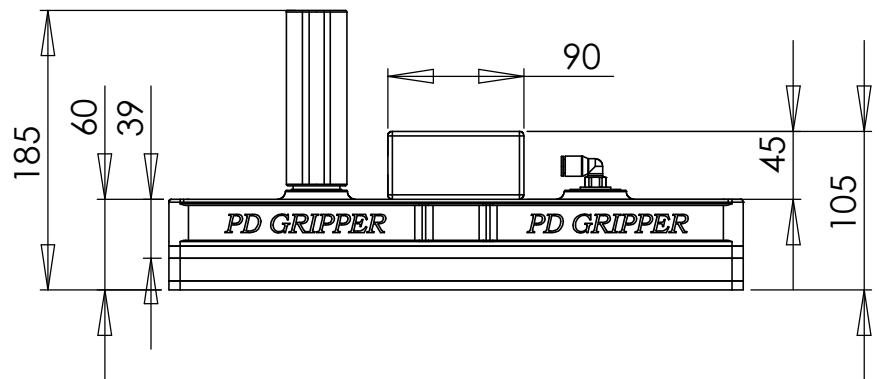
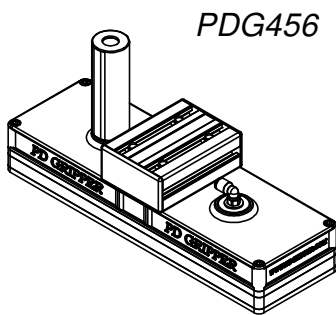
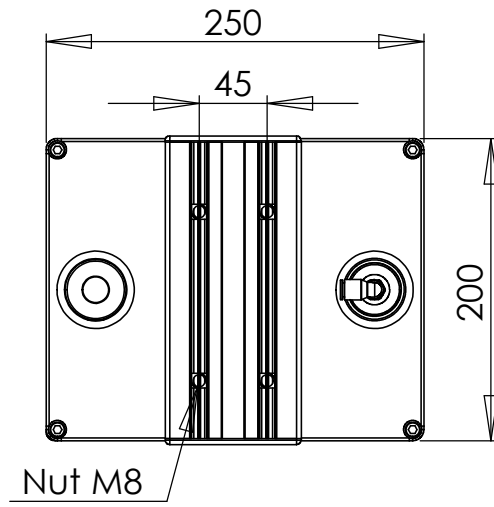
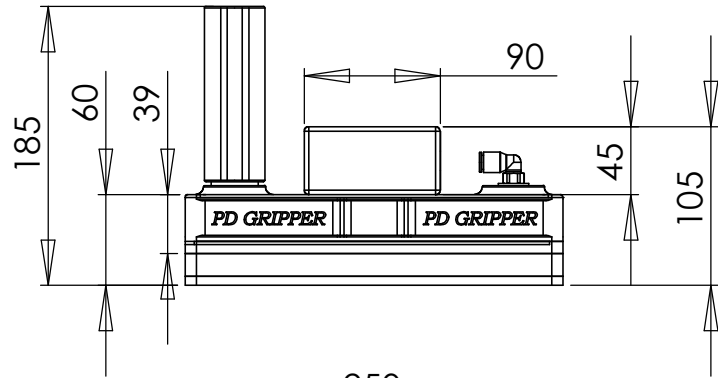
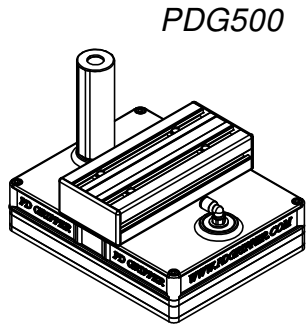
PDG60



PDG80

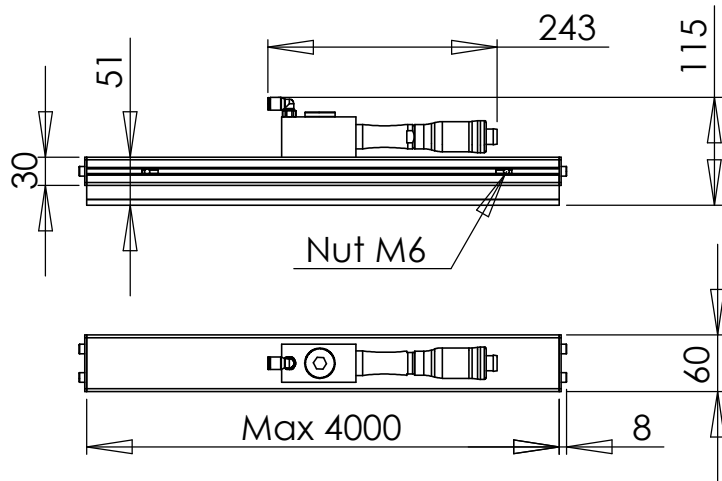
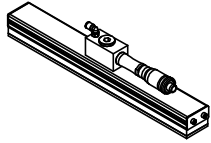


PDG160

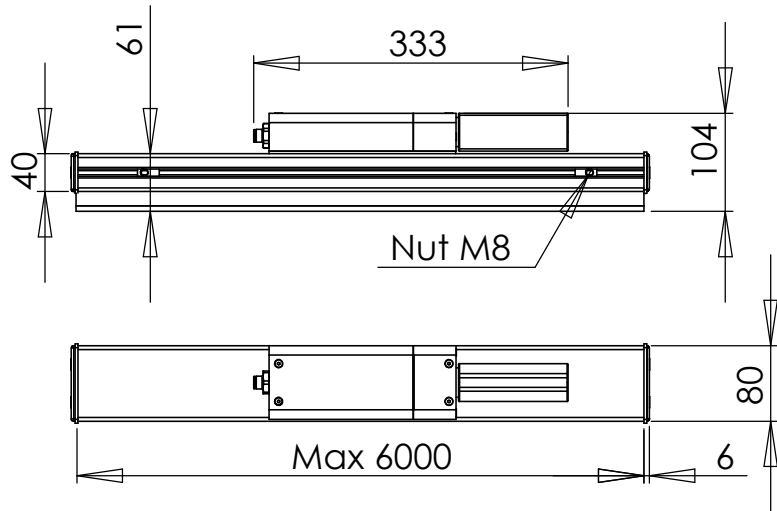
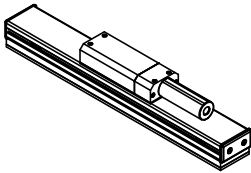




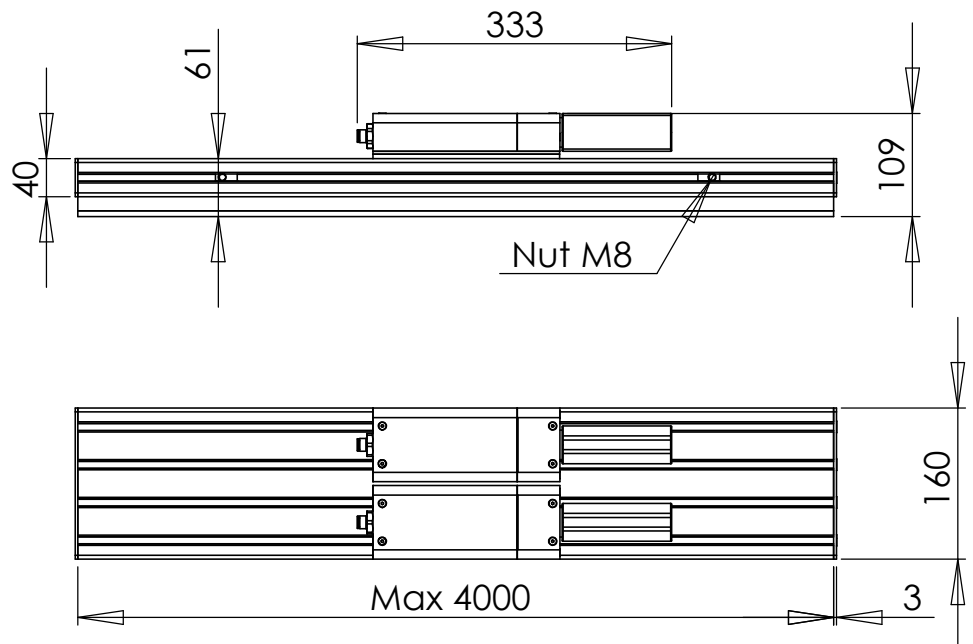
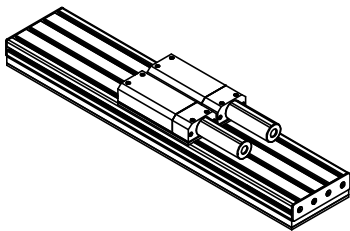
PDG60



PDG80



PDG160



<b>PDG500</b>	
Air consumption:	200 NI/min
Weight:	2,2 kg
Material:	Aluminium, Cellular rubber, Polyurethane
Dimension:	200x250x105 h
Mounting:	4 x M8, Profile 90x45 (CC45)

<b>PDG456</b>	
Air consumption:	200 NI/min
Weight:	2,2 kg
Material:	Aluminium, Cellular rubber, Polyurethane
Dimension:	380x120x105 h
Mounting:	4 x M8, Profile 90x45 (CC45)

<b>PDG60</b>	
Air consumption:	100 NI/min
Weight:	2,0 kg / meter (excl. pump)
Material:	Aluminium, Cellular rubber, Acetal
Dimension:	60x115 h
Mounting:	4 x M6, Profile 60x30

<b>PDG80</b>	
Air consumption:	100-300 NI/min
Weight:	2,5 kg / meter (excl. pump)
Material:	Aluminium, Cellular rubber, Acetal
Dimension:	80x104 h
Mounting:	4 x M8, Profile 80x40

<b>PDG160</b>	
Air consumption:	200-600 NI/min
Weight:	6,0 kg / meter (excl. pump)
Material:	Aluminium, Cellular rubber, Acetal
Dimension:	160x109 h
Mounting:	4 x M8, Profile 160x40