

Pinze pneumatiche mono-dito angolari per staffaggio, serie OF

- Azionamento a semplice effetto.
- Sensori magnetici opzionali.

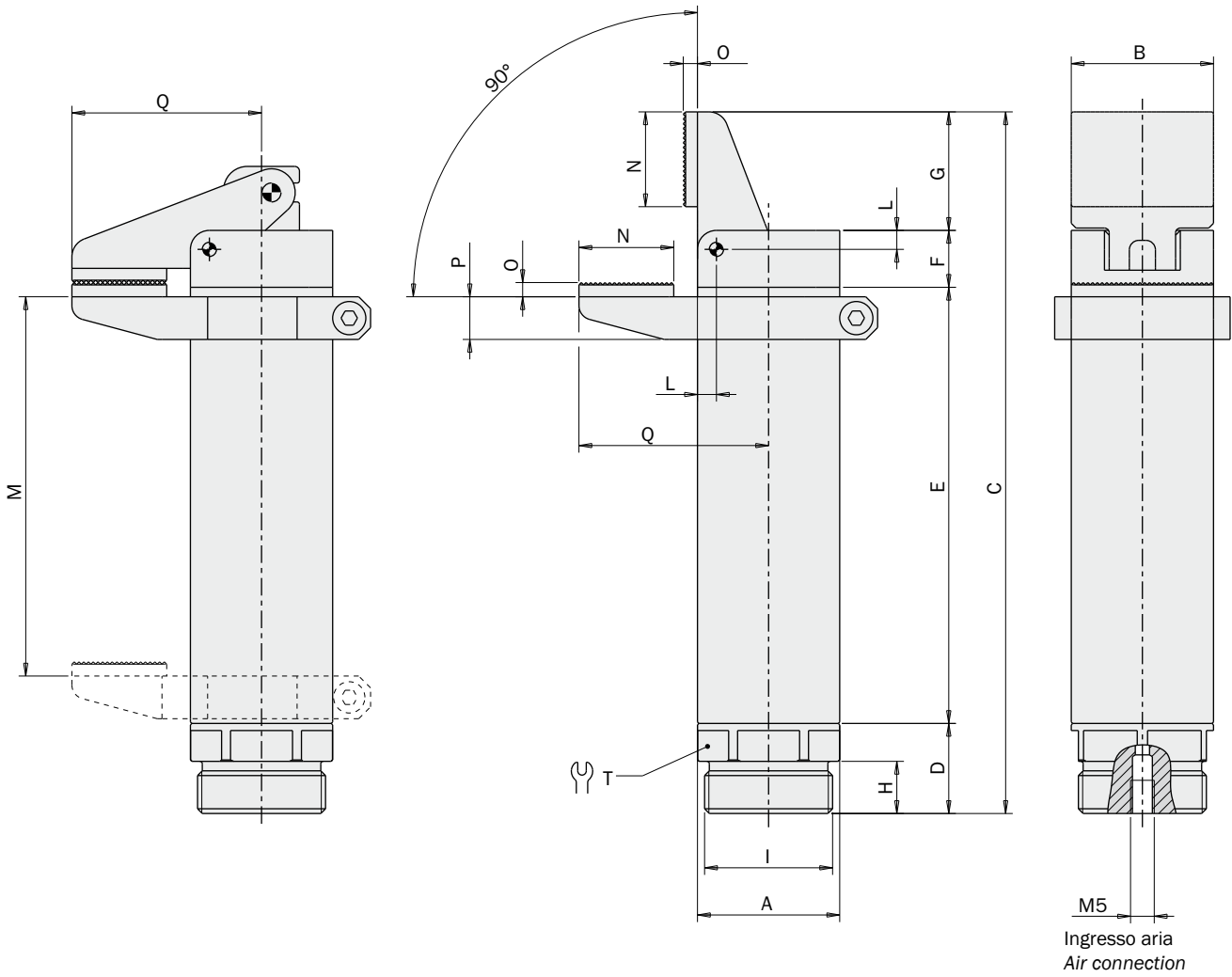
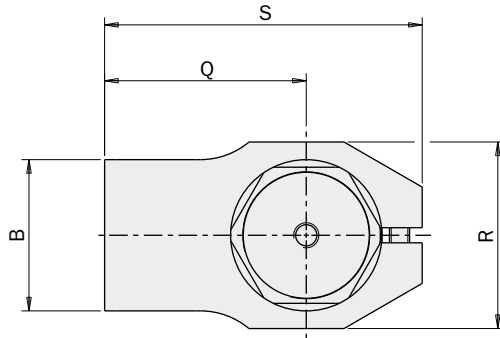
One finger angular pneumatic grippers for clamping, series OF

- Single acting.
- Optional magnetic sensors.



	OFA14-35	OFA20-35 OFA20-35S	OFA30-35 OFA30-35S	OFA50-35 OFA50-35S	OFR14-95	OFR20-95 OFR20-95S OFS20-90 OFS20-90S OFR20-95G OFR20-95SG	OFR30-95 OFR30-95S OFS30-90 OFS30-90S OFR30-95G OFR30-95SG	OFR50-95 OFR50-95S
Fluido Medium	Aria compressa filtrata, lubrificata / non lubrificata Filtered, lubricated / non lubricated compressed air							
Corpo pinza Gripper body	Alluminio Aluminium							
Pressione di esercizio Pressure range	2.5 ÷ 8 bar							
Temperatura di esercizio Temperature range	5 ÷ 60 °C.							
Corsa Stroke	35°				95°			
Alesaggio Piston bore	Ø10 mm	Ø16 mm	Ø25 mm	Ø40 mm	Ø10 mm	Ø16 mm	Ø25 mm	Ø40 mm
Coppia di chiusura a 6 bar Closing torque at 6 bar	26 Ncm	100 Ncm	430 Ncm	1900 Ncm	19 Ncm	70 Ncm	300 Ncm	1250 Ncm
Consumo d'aria per ciclo Cycle air consumption	0.4 cm ³	1.24 cm ³	4.56 cm ³	43 cm ³	1 cm ³	3.52 cm ³	12.9 cm ³	80 cm ³
Peso Weight	25 g	65 g (OFA20-35) 86 g (OFA20-35S)	206 g (OFA30-35) 272 g (OFA30-35S)	860 g (OFA50-35) 1060 g (OFA50-35S)	25 g	60 g (OFR20-95) 81 g (OFR20-95S) 60 g (OFS20-90) 80 g (OFS20-90S) 80 g (OFR20-95G) 100 g (OFR20-95SG)	193 g (OFR30-95) 257 g (OFR30-95S) 185 g (OFS30-90) 245 g (OFS30-90S) 230 g (OFR30-95G) 300 g (OFR30-95SG)	790 g (OFR50-95) 990 g (OFR50-95S)
Prezzo Price								

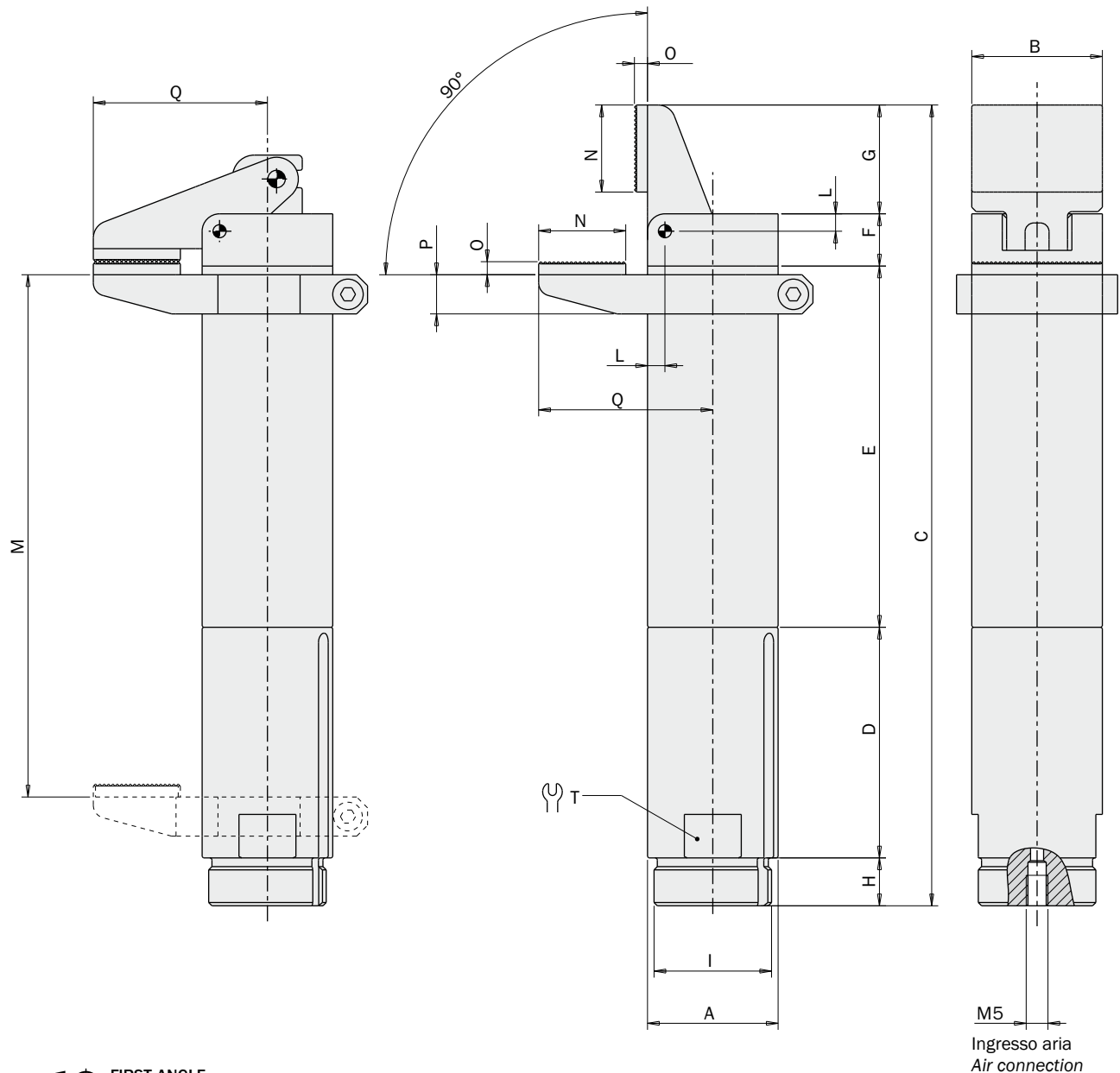
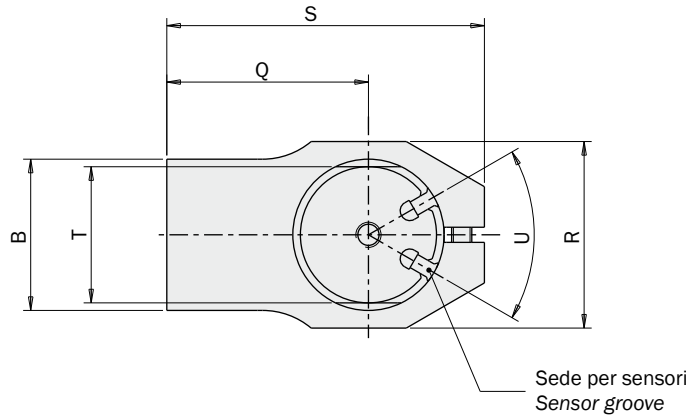
	A	B	C	D	E	F	G	H	I	L	M	N	O	P	Q	R	S	T
OFR20-95G	Ø20	20	103	13	63.5	9	17.5	8	M17x1	2.5	53	15	2.5	7	27.5	25	43.5	17
OFR30-95G	Ø30	30	148	19	92	12	25	11	M27x1	4	80	20	3	9	40	37	63	27



Dimensioni (mm) / Dimensions (mm)

OFR...-95SG

	A	B	C	D	E	F	G	H	I	L	M	N	O	P	Q	R	S	T	U
OFR20-95GS	∅20	20	133	41	57.5	9	17.5	8	M17x1	2.5	88	15	2.5	7	27.5	25	43.5	17	60°
OFR30-95GS	∅30	30	184	53	83	12	25	11	M27x1	4	121	20	3	9	40	37	63	27	80°



FIRST ANGLE PROJECTION

01/2012