

Vacuum Technology.



Standard Valves



→ **Our company**

Founded in 1970 by Ernst-Günter Meßner, our company started by dealing in industrial commodities. Shortly thereafter, we took the step towards our own production of special fittings and pumps used in specialised machinery. The resulting expansion of our business made it necessary for us to establish a new

production and administration building in Kalletal.

In 1976, we produced the first products used in vacuum technology. Within only a few years, we managed to develop a compact product line which set completely new standards in this area.

Our trend-setting products, made according to the current state of the art, and our

second-to-none service and flexibility soon turned Meßner into a household name.

We are proud to list well-known machine and plant manufacturers from all over the world among our satisfied customers.



→ **Our standard product range**

This overview of our product range, which only lists our standard valves, does not include our specialised valves and cylinders. However, we have a large selection of special designs at our disposal that is capable of meeting the most challenging requirements. Our tried and tested building-block system allows for quick and cost-efficient production. – talk to us!

Standard Valves

→ Summary.	2/2-Way Solenoid Valve	Page 02	□
	3/2-Way Solenoid Valve	Page 05	□
	3/2-Way Solenoid Valve/3	Page 11	□
	3/2-Way Valve/3	Page 15	□
	Ventilation Valve	Page 21	□

Type 01.1.01.003.01

→ Technical data.

Type of actuation	direct control
Nominal size	2,5 mm
Pump connection P	internal thread R 1/8"
Working connection A	internal thread R 1/8"
Function	normally closed NC
Operation pressure	max. 2,5 bar
Flow medium	neutral gases and liquids
Ambient temperature	max. 80° C
Duty cycle ED	100 %
Enclosure protection in compliance with DIN 40050	IP 00
IP 65 with connector	Art.-No. 229/000002.

→ Power input.

24 V/DC	6,5 W
24 V/AC and 230 V/AC	8,5 VA

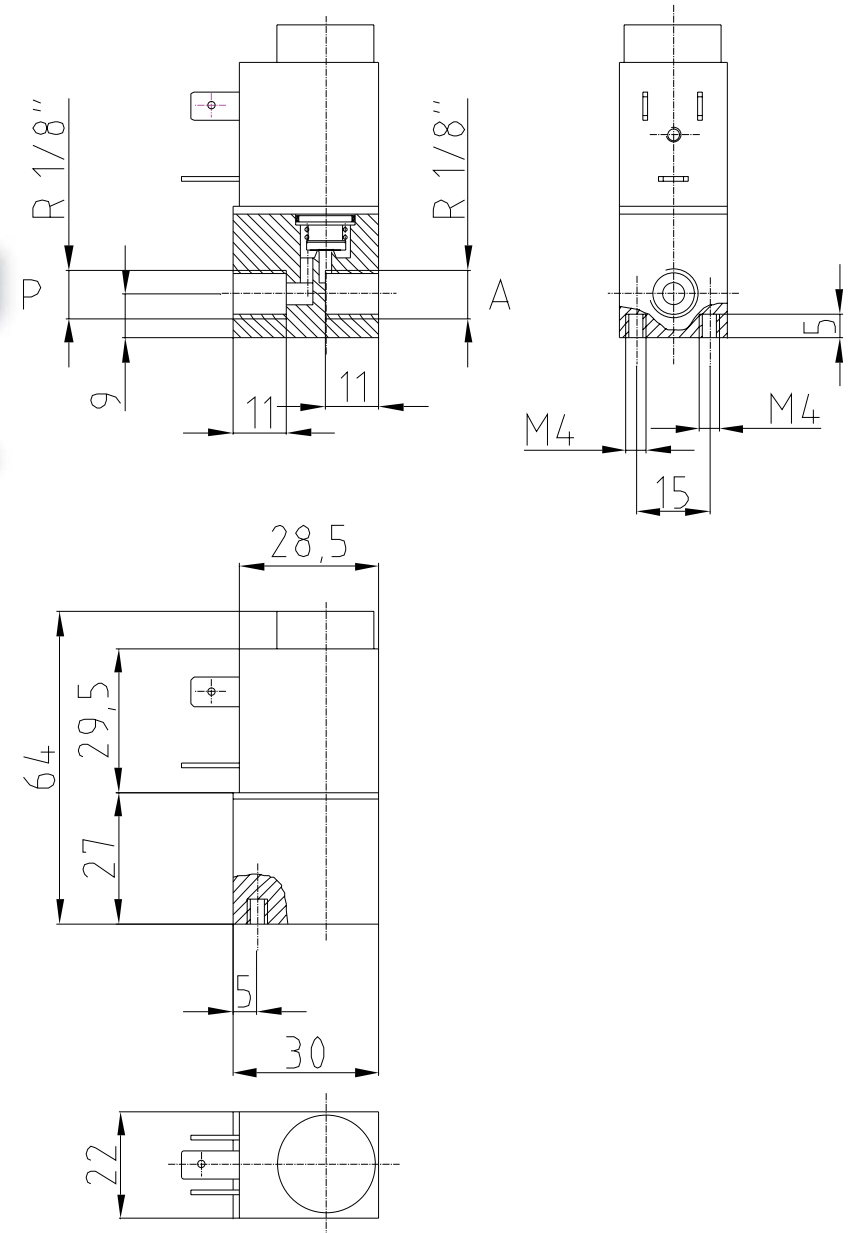
→ Current input.

24 V/DC	0,271 A
24 V/AC	0,354 A
230 V/AC	0,039 A

→ Standard voltages.

24 Volts/DC	Art.-No. 227/000045
24 Volts/AC	Art.-No. 227/000043
230 Volts/AC	Art.-No. 227/000044

Other voltages available on inquiry.



2/2-Way Solenoid Valve

Type 01.1.01.004.02

→ **Technical data.**

Type of actuation	direct control
Nominal size	3,5 mm
Pump connection P	external thread R 1/8"
Working connection A	hose nozzle 6 mm
Function	normally closed NC *
Operation pressure	max. 2,5 bar
Flow medium	neutral gases and liquids
Ambient temperature	max. 80° C
Duty cycle ED	100 %
Enclosure protection in compliance with DIN 40050	IP 00
IP 65 with connector	Art.-No. 229/000002.

→ **Power input.**

24 V/DC	6,5 W
24 V/AC and 230 V/AC	8,5 VA

→ **Current input.**

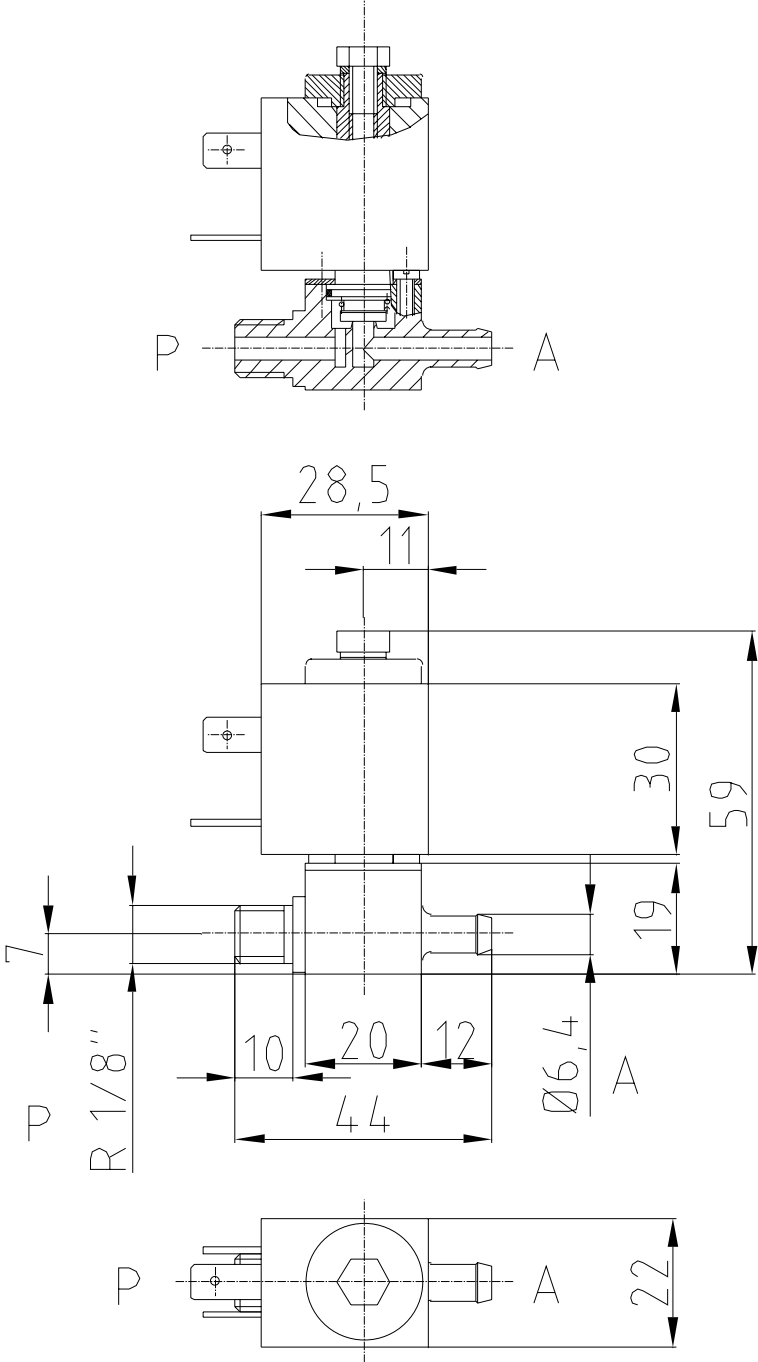
24 V/DC	0,271 A
24 V/AC	0,354 A
230 V/AC	0,039 A

*Function „normally open“ NO P=R

→ **Standard voltages.**

24 Volts/DC	Art.-No. 250/004021
24 Volts/AC	Art.-No. 250/004022
230 Volts/AC	Art.-No. 250/004025

Other voltages available on inquiry.



2/2-Way Solenoid Valve

Type 01.1.01.004.03

→ Technical data.

Type of actuation	direct control
Nominal size	4,0 mm
Pump connection P	internal thread R 1/4"
Working connection A	internal thread R 1/4"
Function	normally closed NC
Operating pressure	max. 2,5 bar
Flow medium	neutral gases and liquids
Ambient temperature	max. 80° C
Duty cycle ED	100 %
Enclosure protection in compliance with DIN 40050	IP 00
IP 65 with connector	Art.-No. 229/000003.



→ Power input.

24 V/DC	10 W
24 V/AC and 230 V/AC	13 VA

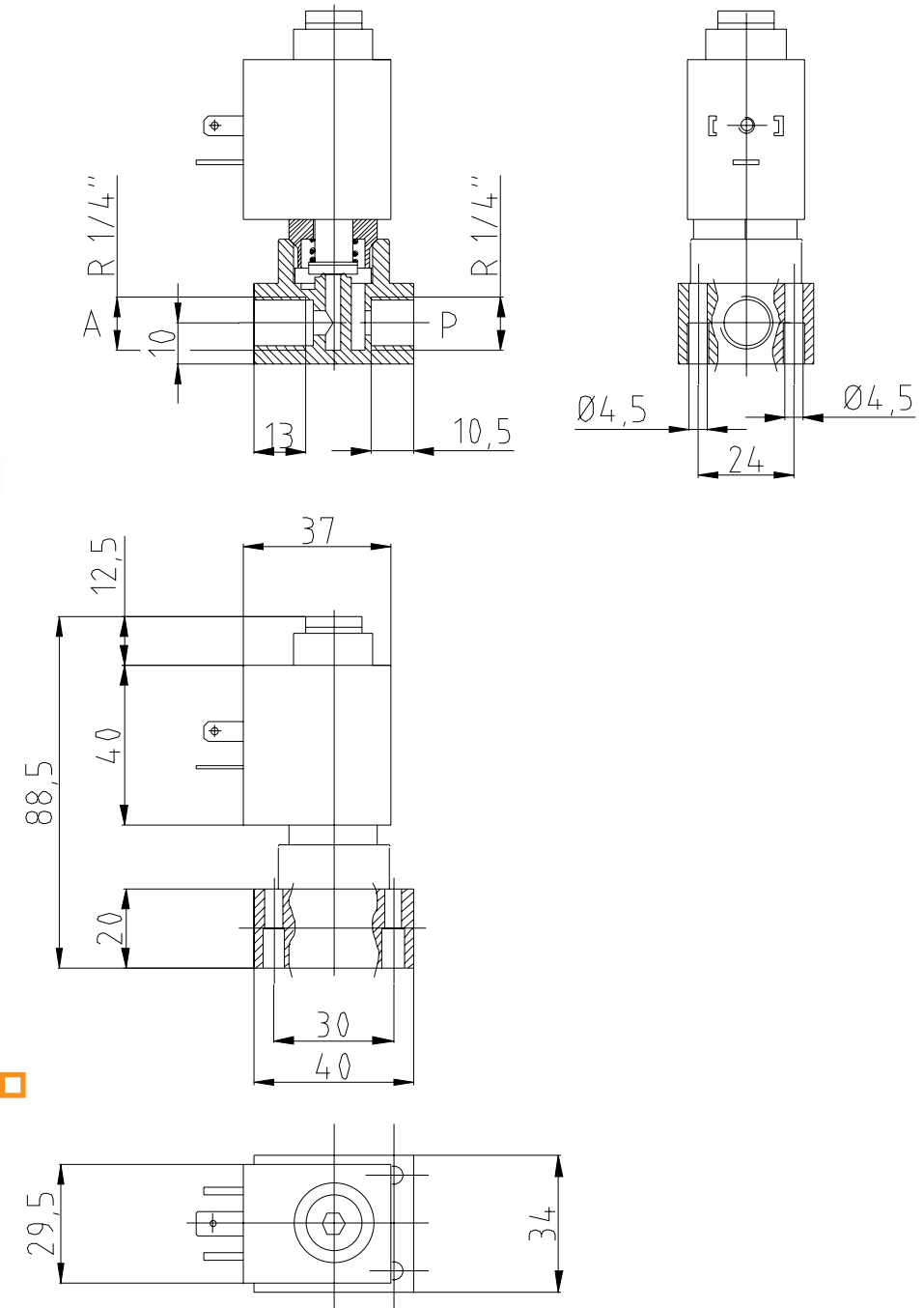
→ Current input.

24 V/DC	0,417 A
24 V/AC	0,542 A
230 V/AC	0,059 A

→ Standard voltages.

24 Volts/DC	Art.-No. 250/004031
24 Volts/AC	Art.-No. 250/004032
230 Volts/AC	Art.-No. 250/004035

Other voltages available on inquiry.



2/2-Way Solenoid Valve

3/2-Way Solenoid Valve

→ 3/2-Way Solenoid Valves

Our 3/2-way solenoid valves are produced in nominal sizes between 2 mm and 50 mm and actuated either directly or indirectly. We also offer a line of pneumatically actuated valves. For nominal sizes between 20 mm and 50 mm, we can also attach additional hose connectors on the pump and chamber side (for vacuum gauges or cylinders).





30BKS

Type 02.1.01.002.01

→ Technical data.

Type of actuation	direct control
Nominal size	2 mm
Pump connection P	hose nozzle 6 mm
Working connection A	hose nozzle 6 mm
Ventilation connection R	internal thread M5
Function	normally closed NC*
Operating pressure	max. vacuum 99,9 % up to 2 bar
Ambient temperature	max. 80° C
Duty cycle ED	100 %
Enclosure protection in compliance with DIN 40050	IP 00
IP 65 with connector	Art.-No. 229/000002.

→ Power input.

24 V/DC	6,5 W
24 V/AC and 230 V/AC	8,5 VA

→ Current input.

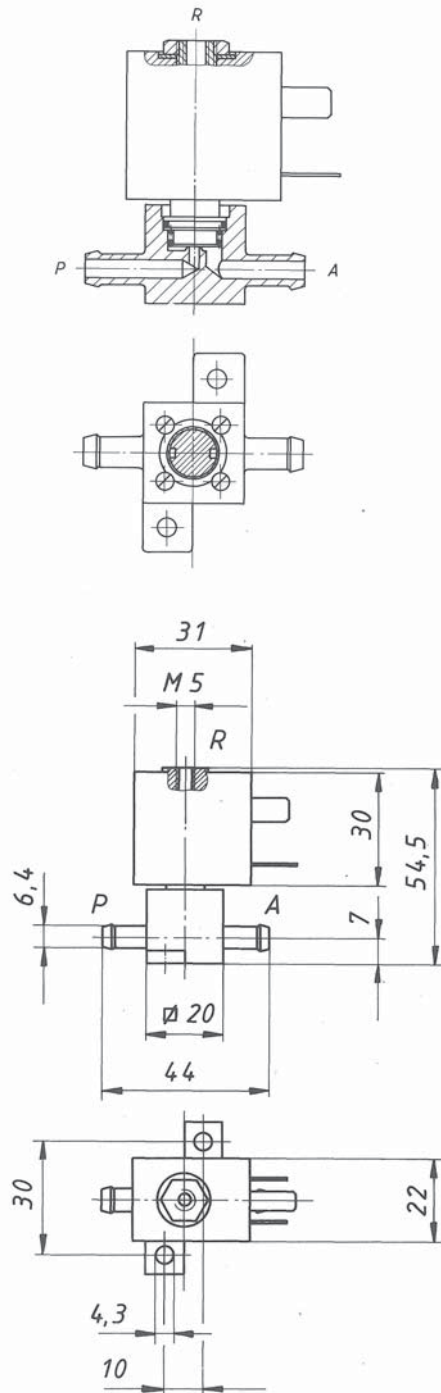
24 V/DC	0,271 A
24 V/AC	0,354 A
230 V/AC	0,039 A

*Function „normally open“ NO P=R

→ Standard voltages.

24 Volts/DC	Art.-No. 260/002011
24 Volts/AC	Art.-No. 260/002012
230 Volts/AC	Art.-No. 260/002015

Other voltages available on inquiry.



Also suitable for use as 2/2-way solenoid valve by closing off the ventilation connection R using M5 screw plug

Art.-No. 233/000004.

The ventilation connection R can be fitted with a sintered bronze silencer M5

Art.-No. 215/000010

as ventilation filter.

For the normally open (NO) function the ventilation connection R can be fitted with the M5 - 6 mm hose nozzle

Art.-No. 210/000187

and sealing ring

Art.-No. 233/000023.

3/2-Way Solenoid Valve

Type 02.1.02.002.01

→ Technical data.

Type of actuation	direct control
Nominal size	2 mm
Pump connection P	hose nozzle 6 mm
Working connection A	external thread R 1/8"
Ventilation connection R	internal thread M5
Function	normally closed NC*
Operating pressure	max. vacuum 99,9 % up to 2 bar
Ambient temperature	max. 80° C
Duty cycle ED	100 %
Enclosure protection in compliance with DIN 40050	IP 00
IP 65 with connector	Art.-No. 229/000002.

→ Power input.

24 V/DC	6,5 W
24 V/AC and 230 V/AC	8,5 VA

→ Current input.

24 V/DC	0,271 A
24 V/AC	0,354 A
230 V/AC	0,039 A

*Function „normally open“ NO P=R

→ Standard voltages.

24 Volts/DC	Art.-No. 261/002011
24 Volts/AC	Art.-No. 261/002012
230 Volts/AC	Art.-No. 261/002015

Other voltages available on inquiry.

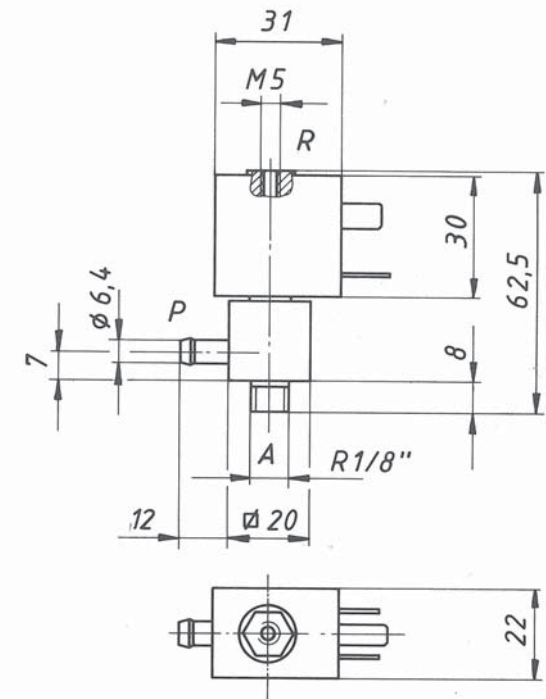
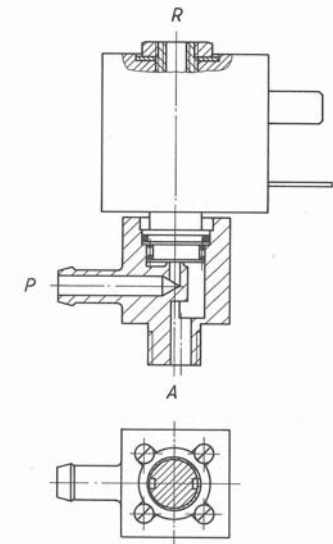
3/2-Way Solenoid Valve



Also suitable for use as 2/2-way solenoid valve by closing off the ventilation connection R using M5 screw plug **Art.-No. 233/000004.**

The ventilation connection R can be fitted with a sintered bronze silencer M5 **Art.-No. 215/000010** as ventilation filter.

For the normally open (NO) function the ventilation connection R can be fitted with the M5 - 6 mm hose nozzle **Art.-No. 210/000187** and sealing ring **Art.-No. 233/000023.** The connection A can be fitted with the R 1/8" - 6 mm hose nozzle **Art.-No. 233/000035.**



Type 02.1.00.004.01

→ **Technical data.**

Type of actuation	direct control
Nominal size	3,5 mm
Pump connection P	for hollow screw R 1/8"
Working connection A	hose nozzle 6 mm
Ventilation connection R	internal thread M5
Function	normally closed NC
Operating pressure	max. vacuum 99,9 %
Ambient temperature	max. 80° C
Duty cycle ED	100 %
Enclosure protection in compliance with DIN 40050	IP 00
IP 65 with connector	Art.-No. 229/000002.

→ **Power input.**

24 V/DC	6,5 W
24 V/AC and 230 V/AC	8,5 VA

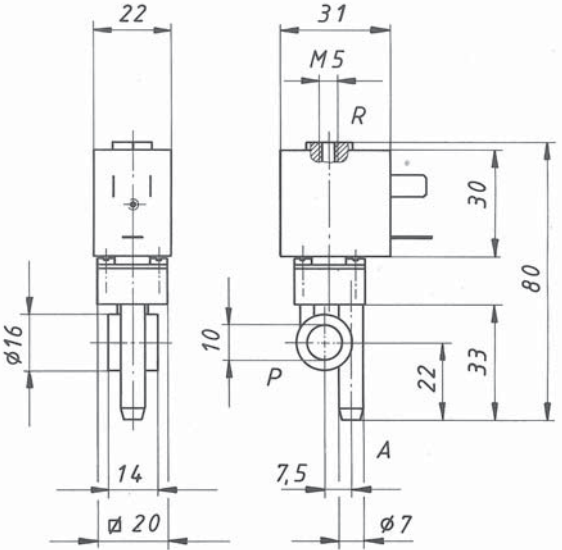
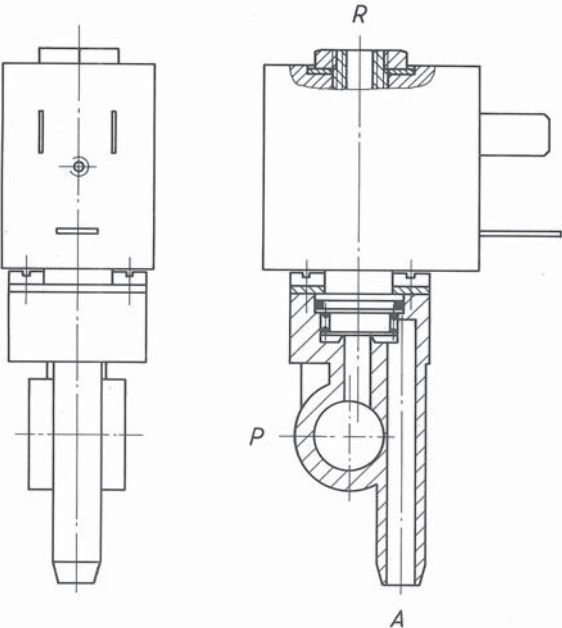
→ **Current input.**

24 V/DC	0,271 A
24 V/AC	0,354 A
230 V/AC	0,039 A

→ **Standard voltages.**

24 Volts/DC	Art.-No. 262/004011
24 Volts/AC	Art.-No. 262/004012
230 Volts/AC	Art.-No. 262/004015

Other voltages available on inquiry.



The ventilation connection R can be fitted with a sintered bronze silencer M5 **Art.-No. 215/000010** as ventilation filter.

The valve can be fitted direct onto a vacuum connection with a single-bore hollow screw **Art.-No. 233/000014.**

3/2-Way Solenoid Valve

Type 02.1.01.004.02

→ Technical data.

Type of actuation	direct control
Nominal size	4,0 mm
Pump connection P	internal thread R 1/4"
Working connection A	internal thread R 1/4"
Ventilation connection R	internal thread R 1/8"
Function	normally closed NC*
Operating pressure	max. vacuum 99,9 %
Ambient temperature	max. 80° C
Duty cycle ED	100 %
Enclosure protection in compliance with DIN 40050	IP 00
IP 65 with connector	Art.-No. 229/000003.

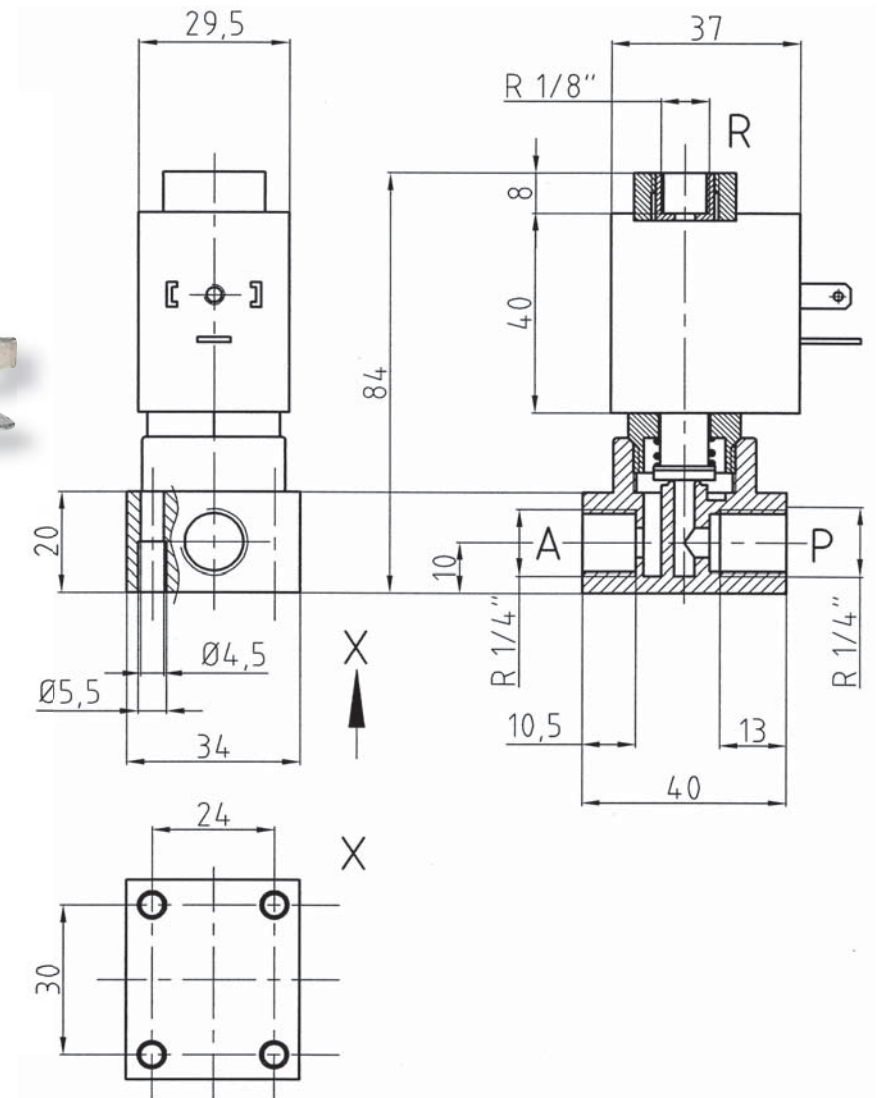
→ Power input.

24 V/DC	10 W
24 V/AC and 230 V/AC	13 VA

→ Current input.

24 V/DC	0,417 A
24 V/AC	0,542 A
230 V/AC	0,059 A

*Function „normally open“ NO P=R



→ Standard voltages.

24 Volts/DC	Art.-No. 260/004021
24 Volts/AC	Art.-No. 260/004022
230 Volts/AC	Art.-No. 260/004025

Other voltages available on inquiry.

3/2-Way Solenoid Valve

The ventilation connection R can be fitted with a sintered bronze silencer R 1/8" **Art.-No. 215/000011** as ventilation filter.

For the normally open (NO) function the ventilation connection R can be fitted with a hose nozzle R 1/8".

Type 02.2.01.020.01

→ **Technical data.**

Type of actuation	vacuum pilot control
Nominal size	20 mm
Pump connection P	internal thread R 3/4"
Working connection A	internal thread R 3/4"
Ventilation connection R	internal thread R 3/8"
Function	normally closed NC
Operating pressure	max. vacuum 99,9 %
Ambient temperature	max. 80° C
Duty cycle ED	100 %
Enclosure protection in compliance with DIN 40050	IP 00
IP 65 with connector	Art.-No. 229/000002.

→ **Power input.**

24 V/DC	6,5 W
24 V/AC and 230 V/AC	8,5 VA

→ **Current input.**

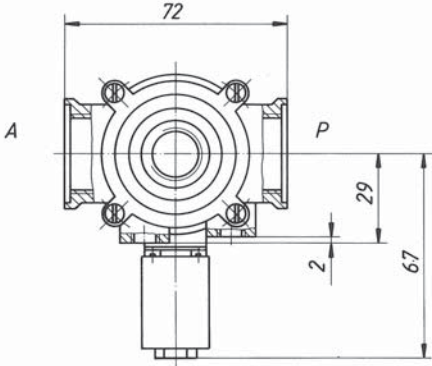
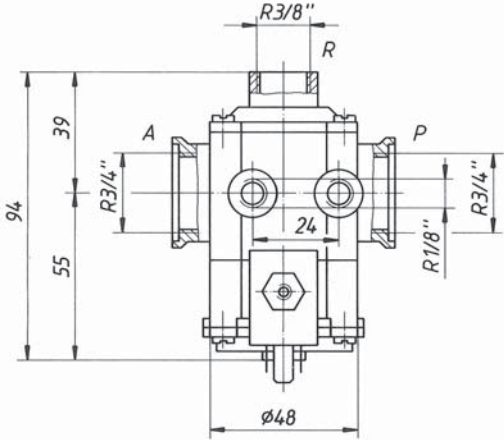
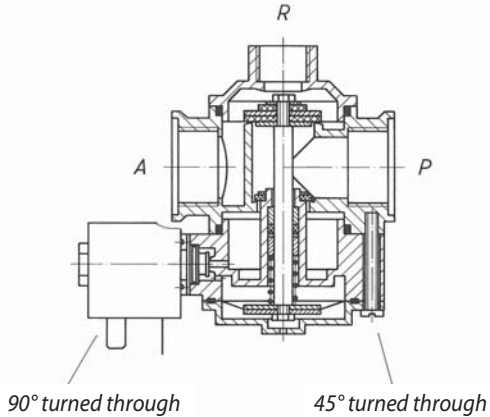
24 V/DC	0,271 A
24 V/AC	0,354 A
230 V/AC	0,039 A

→ **Standard voltages.**

24 Volts/DC	Art.-No. 263/020011
24 Volts/AC	Art.-No. 263/020012
230 Volts/AC	Art.-No. 263/020015

Other voltages available on inquiry.

3/2-Way Solenoid Valve/3



Type 02.2.01.032.15

→ Technical data.

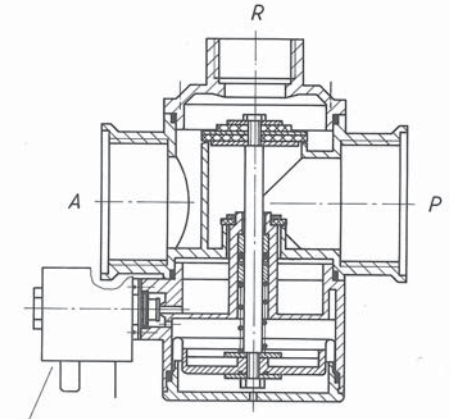
Type of actuation	vacuum pilot control
Nominal size	32 mm
Pump connection P	internal thread R 1 1/4"
Working connection A	internal thread R 1 1/4"
Ventilation connection R	internal thread R 3/4"
Function	normally closed NC
Operating pressure	max. vacuum 99,9 %
Ambient temperature	max. 80° C
Duty cycle ED	100 %
Enclosure protection in compliance with DIN 40050	IP 00
IP 65 with connector	Art.-No. 229/000002.

→ Power input.

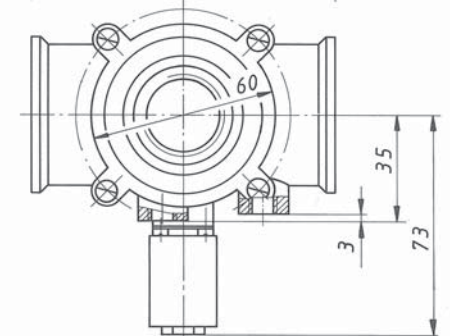
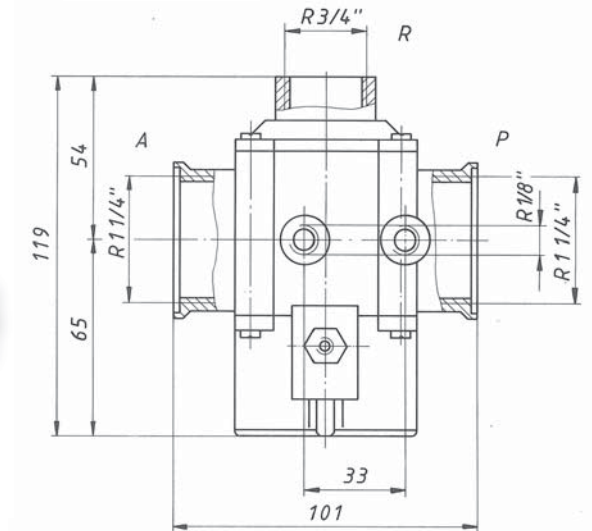
24 V/DC	6,5 W
24 V/AC and 230 V/AC	8,5 VA

→ Current input.

24 V/DC	0,271 A
24 V/AC	0,354 A
230 V/AC	0,039 A



90° turned through



→ Standard voltages.

24 Volts/DC	Art.-No. 263/032151
24 Volts/AC	Art.-No. 263/032152
230 Volts/AC	Art.-No. 263/032155

Other voltages available on inquiry.

3/2-Way Solenoid Valve/3

Type 02.2.02.032.15

→ **Technical data.**

Type of actuation	vacuum pilot control
Nominal size	32 mm
Pump connection P	hose nozzle 32 mm
Working connection A	internal thread R 1"
Ventilation connection R	internal thread R 3/4"
Function	normally closed NC
Operating pressure	max. vacuum 99,9 %
Ambient temperature	max. 80° C
Duty cycle ED	100 %
Enclosure protection in compliance with DIN 40050	IP 00
IP 65 with connector	Art.-No. 229/000002.

→ **Power input.**

24 V/DC	6,5 W
24 V/AC and 230 V/AC	8,5 VA

→ **Current input.**

24 V/DC	0,271 A
24 V/AC	0,354 A
230 V/AC	0,039 A

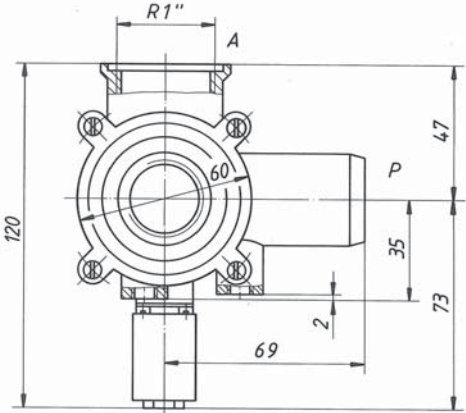
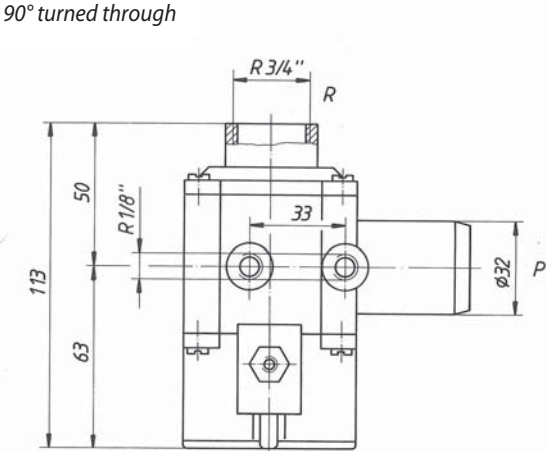
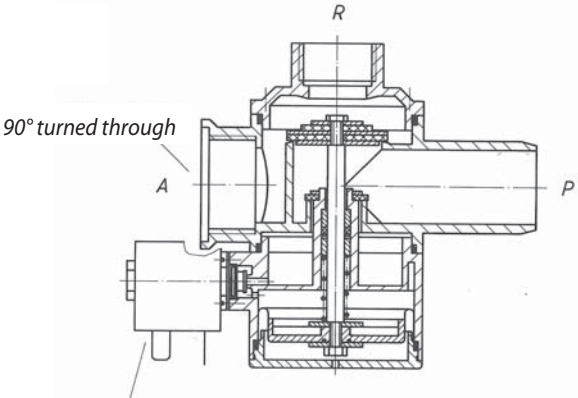
→ **Standard voltages.**

24 Volts/DC	Art.-No. 264/032151
24 Volts/AC	Art.-No. 264/032152
230 Volts/AC	Art.-No. 264/032155

Other voltages available on inquiry.



Connection R 1/8" are fitted with screw plugs as standard.



3/2-Way Solenoid Valve/3

Type 02.2.01.050.01

→ Technical data.

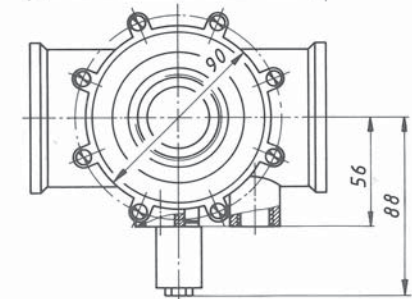
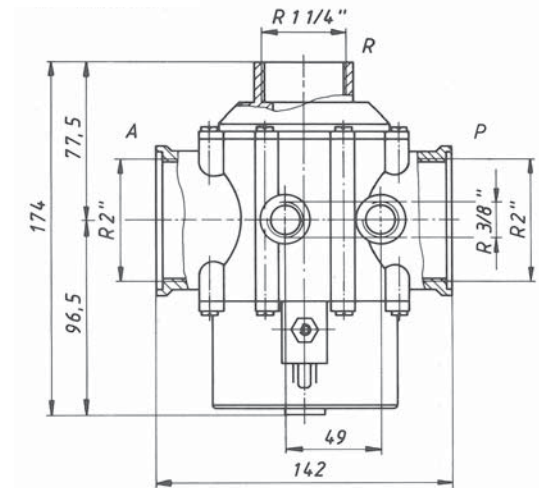
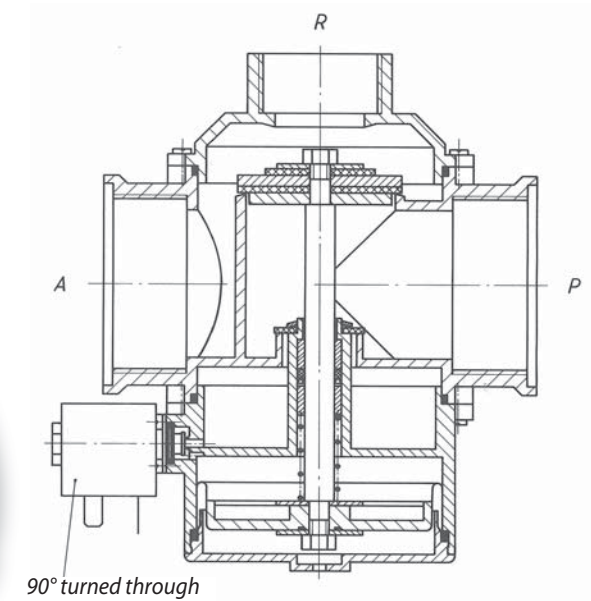
Type of actuation	vacuum pilot control
Nominal size	50 mm
Pump connection P	internal thread R 2"
Working connection A	internal thread R 2"
Ventilation connection R	internal thread R 1 1/4"
Function	normally closed NC
Operating pressure	max. vacuum 99,9 %
Ambient temperature	max. 80° C
Duty cycle ED	100 %
Enclosure protection in compliance with DIN 40050	IP 00
IP 65 with connector	Art.-No. 229/000002 .

→ Power input.

24 V/DC	6,5 W
24 V/AC and 230 V/AC	8,5 VA

→ Current input.

24 V/DC	0,271 A
24 V/AC	0,354 A
230 V/AC	0,039 A



→ Standard voltages.

24 Volts/DC	Art.-No. 263/050011
24 Volts/AC	Art.-No. 263/050012
230 Volts/AC	Art.-No. 263/050015

Other voltages available on inquiry.

Connection R 3/8" are fitted with screw plugs as standard.

3/2-Way Solenoid Valve/3

Type 02.3.01.020.01

→ **Technical data.**

Type of actuation	pneumatic control (closing by spring tension)
Nominal size	20 mm
Pump connection P	internal thread R 3/4"
Working connection A	internal thread R 3/4"
Ventilation connection R	internal thread R 3/8"
Control connection P1	internal thread R 1/8"
Operating pressure	max. vacuum 99,9 %
Control pressure	4 - 8 bar
Ambient temperature	max. 80° C

Also available with attached control valve

→ **Control valve.**

Duty cycle ED	100 %
Enclosure protection in compliance with DIN 40050	IP 00 IP 65 with connector Art.-No. 229/000002.

→ **Power input.**

24 V/DC	5 W
24 V/AC and 230 V/AC	5 VA

→ **Current input.**

24 V/DC	0,208 A
24 V/AC	0,208 A
230 V/AC	0,023 A

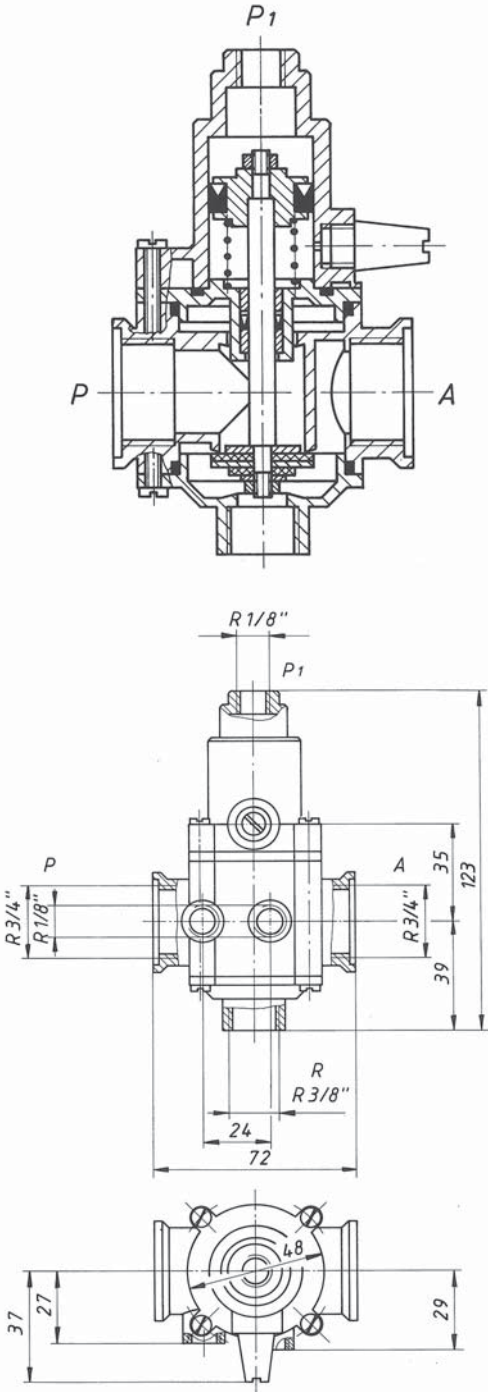
→ **Without control valve.**

Art.-No. 266/020010

→ **Standard voltages.**

24 Volts/DC	Art.-No. 266/020011
24 Volts/AC	Art.-No. 266/020012
230 Volts/AC	Art.-No. 266/020015

Other voltages available on inquiry.



3/2-Way Solenoid Valve/3

Type 02.3.01.020.02

→ Technical data.

Type of actuation	pneumatic control (opening by spring tension)
Nominal size	20 mm
Pump connection P	internal thread R 3/4"
Working connection A	internal thread R 3/4"
Ventilation connection R	internal thread R 3/8"
Control connection P1	internal thread R 1/8"
Operating pressure	max. vacuum 99,9 %
Control pressure	4 - 8 bar
Ambient temperature	max. 80° C

Also available with attached control valve

→ Control valve.

Duty cycle ED	100 %
Enclosure protection in compliance with DIN 40050	IP 00
IP 65 with connector	Art.-No. 229/000002.

→ Power input.

24 V/DC	5 W
24 V/AC and 230 V/AC	5 VA

→ Current input.

24 V/DC	0,208 A
24 V/AC	0,208 A
230 V/AC	0,023A



→ Standard voltages.

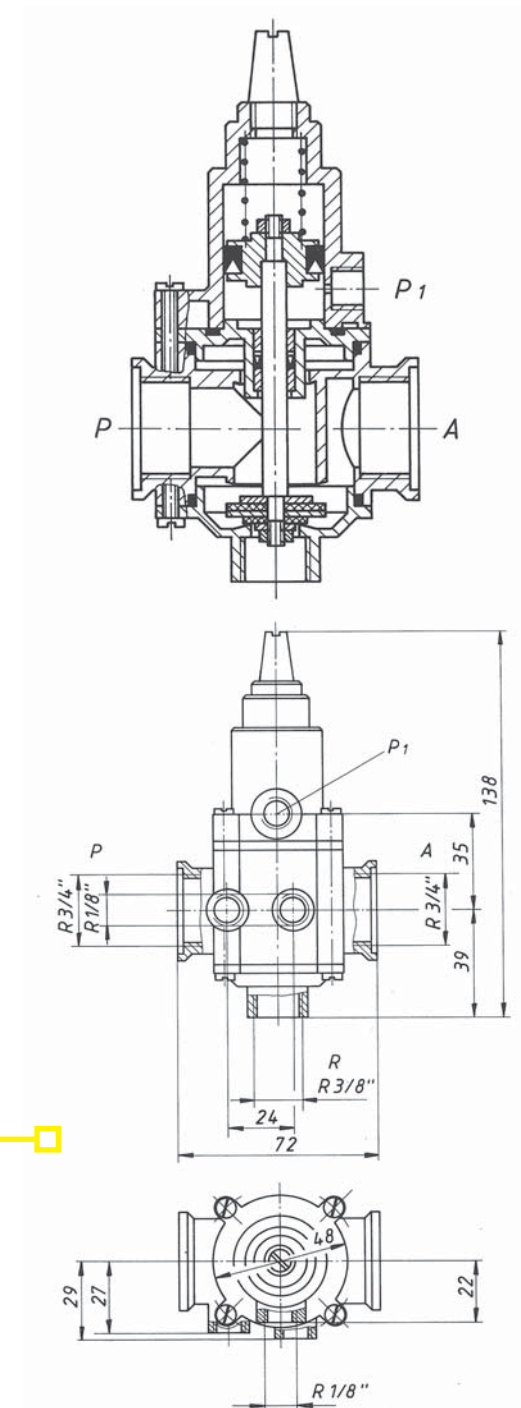
24 Volts/DC	Art.-No. 266/020021
24 Volts/AC	Art.-No. 266/020022
230 Volts/AC	Art.-No. 266/020025

→ Without control valve.

Art.-No. 266/020020

Other voltages available on inquiry.

3/2-Way Solenoid Valve/3



Type 02.3.01.032.01

→ **Technical data.**

Type of actuation	pneumatic control (closing by spring tension)
Nominal size	32 mm
Pump connection P	internal thread R 1 1/4"
Working connection A	internal thread R 1 1/4"
Ventilation connection R	internal thread R 3/4"
Control connection P1	internal thread R 1/8"
Operating pressure	max. vacuum 99,9 %
Control pressure	4 - 8 bar
Ambient temperature	max. 80° C

Also available with attached control valve

→ **Control valve.**

Duty cycle ED	100 %
Enclosure protection in compliance with DIN 40050	IP 00 IP 65 with connector Art.-No. 229/000002.

→ **Power input.**

24 V/DC	5 W
24 V/AC and 230 V/AC	5 VA

→ **Current input.**

24 V/DC	0,208 A
24 V/AC	0,208 A
230 V/AC	0,023 A

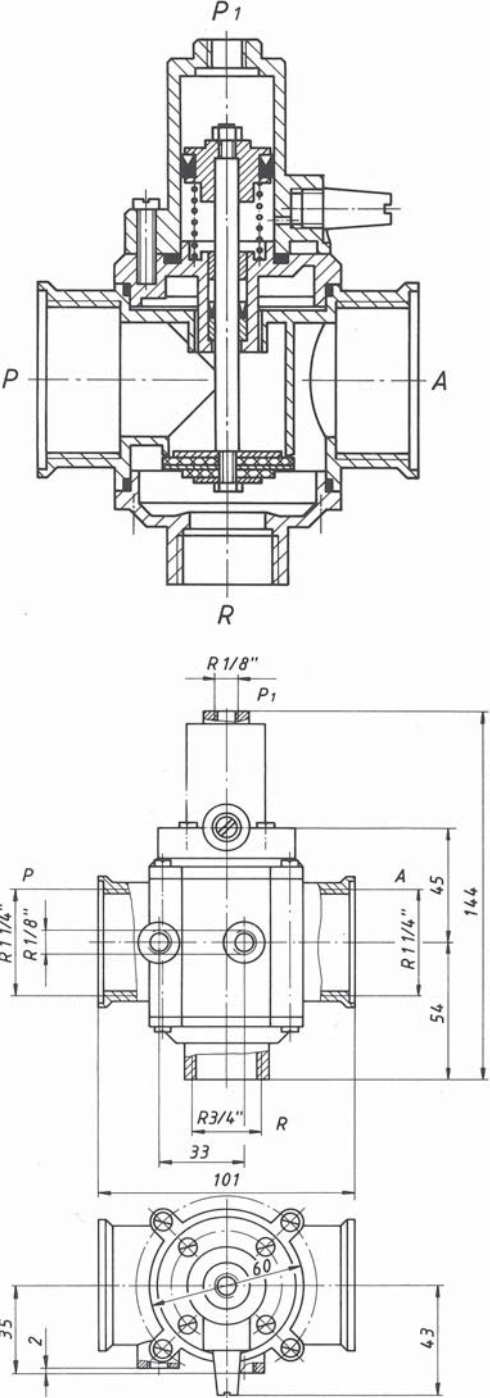
→ **Without Control valve.**

Art.-No. 266/032010

→ **Standard voltages.**

24 Volts/DC	Art.-No. 266/032011
24 Volts/AC	Art.-No. 266/032012
230 Volts/AC	Art.-No. 266/032015

Other voltages available on inquiry.



Connection R 1/8" are fitted with screw plugs as standard.

3/2-Way Valve/3

Type 02.3.01.032.02

→ Technical data.

Type of actuation	pneumatic control (opening by spring tension)
Nominal size	32 mm
Pump connection P	internal thread R 1 1/4"
Working connection A	internal thread R 1 1/4"
Ventilation connection R	internal thread R 3/4"
Control connection P1	internal thread R 1/8"
Operating pressure	max. vacuum 99,9 %
Control pressure	4 - 8 bar
Ambient temperature	max. 80° C

Also available with attached control valve

→ Control valve.

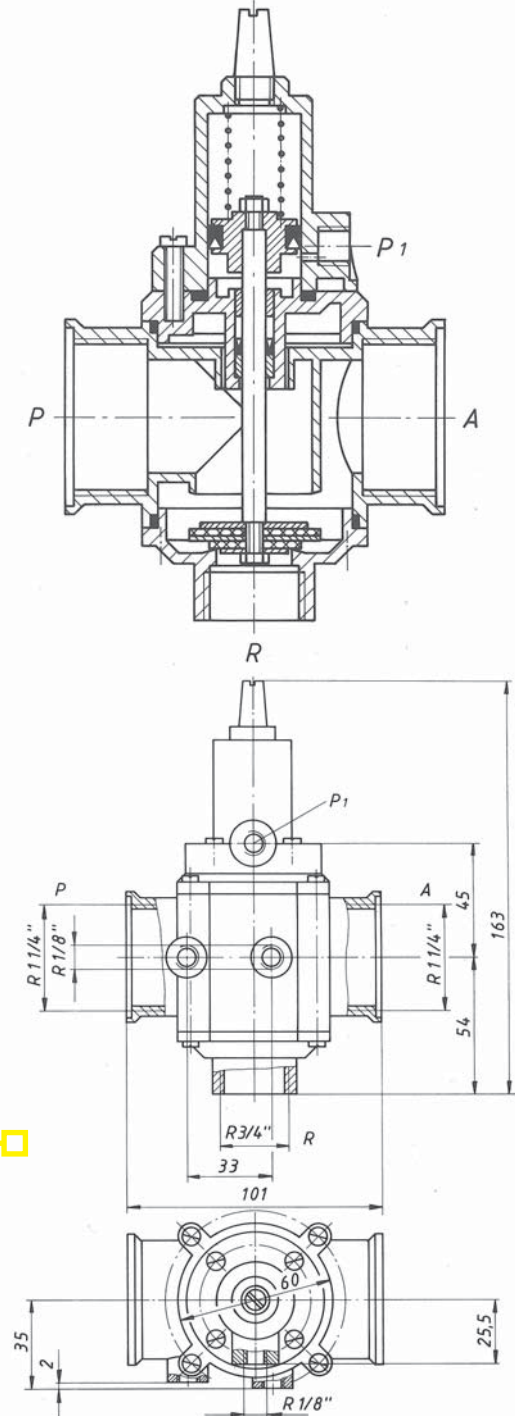
Duty cycle ED	100 %
Enclosure protection in compliance with DIN 40050	IP 00
IP 65 with connector	Art.-No. 229/000002.

→ Power input.

24 V/DC	5 W
24 V/AC and 230 V/AC	5 VA

→ Current input.

24 V/DC	0,208 A
24 V/AC	0,208 A
230 V/AC	0,023 A



→ Standard voltages.

24 Volts/DC	Art.-No. 266/032021
24 Volts/AC	Art.-No. 266/032022
230 Volts/AC	Art.-No. 266/032025

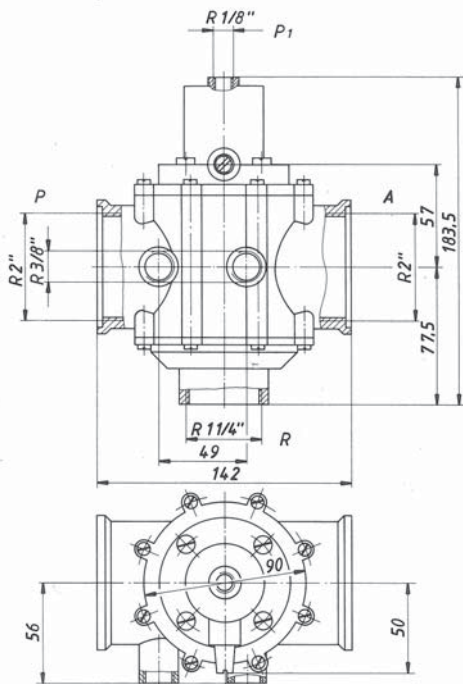
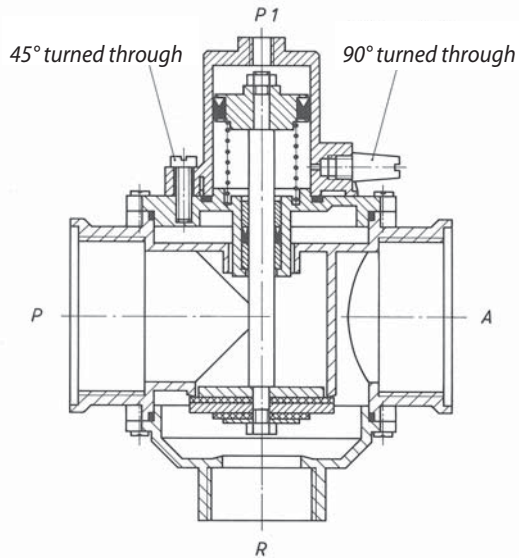
→ Without Control valve.

Art.-No. 266/032020

Other voltages available on inquiry.

3/2-Way Valve/3

Type 02.3.01.050.01



Connection R 3/8" are fitted with screw plugs as standard.

→ Without Control valve.
Art.-No. 266/050010

→ Standard voltages.

24 Volts/DC	Art.-No. 266/050011
24 Volts/AC	Art.-No. 266/050012
230 Volts/AC	Art.-No. 266/050015

Other voltages available on inquiry.

→ Technical data.

Type of actuation	pneumatic control (closing by spring tension)
Nominal size	50 mm
Pump connection P	internal thread R 2"
Working connection A	internal thread R 2"
Ventilation connection R	internal thread R 1 1/4"
Control connection P1	internal thread R 1/8"
Operating pressure	max. vacuum 99,9 %
Control pressure	4 - 8 bar
Ambient temperature	max. 80° C

Also available with attached control valve

→ Control valve.

Duty cycle ED	100 %
Enclosure protection in compliance with DIN 40050	IP 00
IP 65 with connector	Art.-No. 229/000002.

→ Power input.

24 V/DC	5 W
24 V/AC and 230 V/AC	5 VA

→ Current input.

24 V/DC	0,208 A
24 V/AC	0,208 A
230 V/AC	0,023 A

3/2-Way Valve/3

Type 02.3.01.050.02

→ Technical data.

Type of actuation	pneumatic control (opening by spring tension)
Nominal size	50 mm
Pump connection P	internal thread R 2"
Working connection A	internal thread R 2"
Ventilation connection R	internal thread R 1 1/4"
Control connection P1	internal thread R 1/8"
Operating pressure	max. vacuum 99,9 %
Control pressure	4 - 8 bar
Ambient temperature	max. 80° C

Also available with attached control valve

→ Control valve.

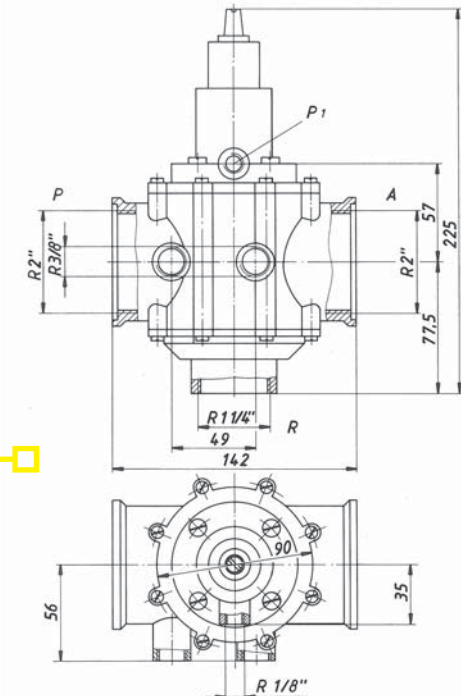
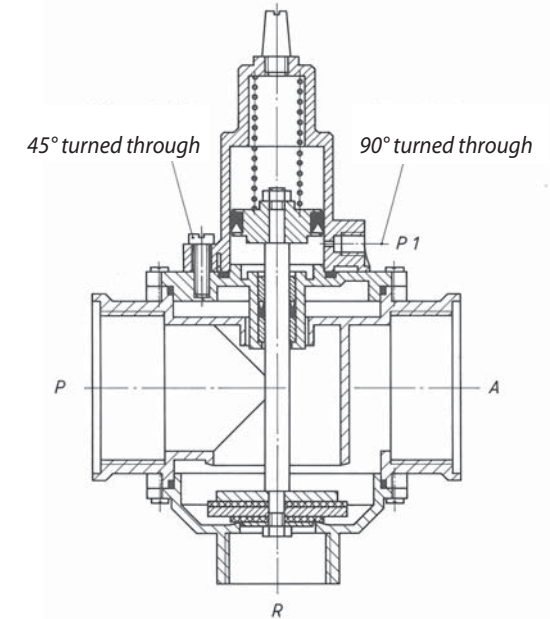
Duty cycle ED	100 %
Enclosure protection in compliance with DIN 40050	IP 00
IP 65 with connector	Art.-No. 229/000002.

→ Power input.

24 V/DC	5 W
24 V/AC and 230 V/AC	5 VA

→ Current input.

24 V/DC	0,208 A
24 V/AC	0,208 A
230 V/AC	0,023 A



→ Standard voltages.

24 Volts/DC	Art.-No. 266/050021
24 Volts/AC	Art.-No. 266/050022
230 Volts/AC	Art.-No. 266/050025

Other voltages available on inquiry.

→ Without Control valve.

Art.-No. 266/050020

3/2-Way Valve/3

Ventilation Valve

→ Ventilation Valve

Our ventilation valves are produced in nominal sizes between 4 mm and 32 mm and actuated either directly or indirectly.



Type 04.1.00.004.01

→ Technical data.

Type of actuation	direct control
Nominal size	4 mm
Connection 1	hose nozzle 6 mm
Function	normally closed NC
Operating pressure	max. vacuum 99,9 %
Ambient temperature	max. 80° C
Duty cycle ED	100 %
Enclosure protection in compliance with DIN 40050	IP 00
IP 65 with connector	Art.-No. 229/000002.

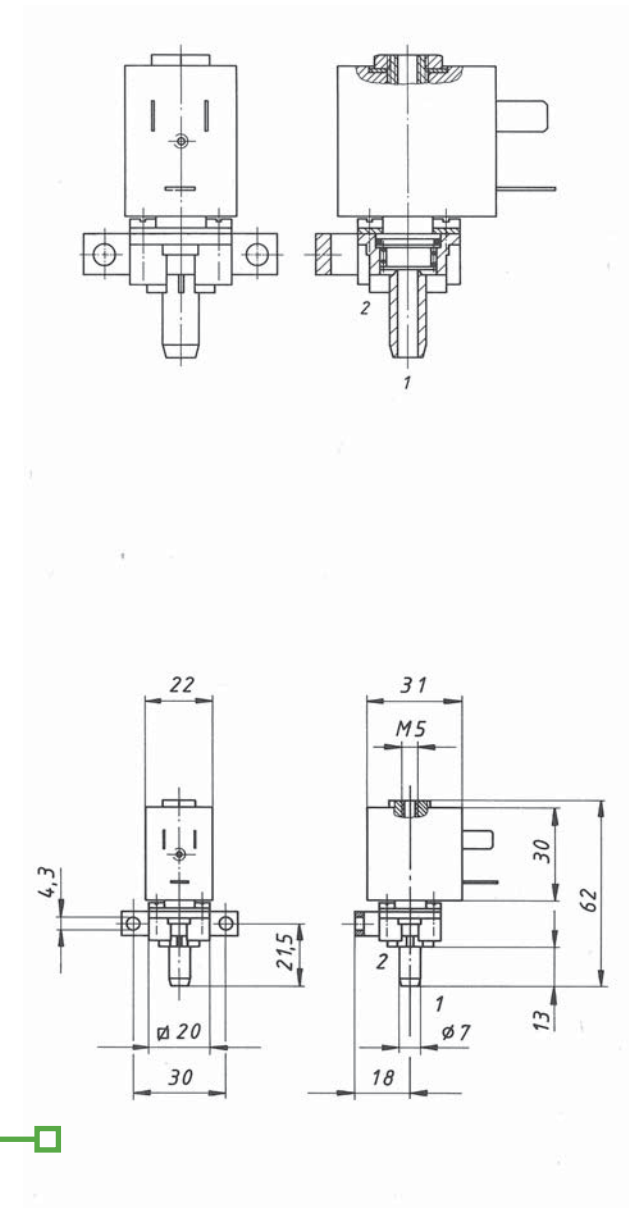


→ Power input.

24 V/DC	6,5 W
24 V/AC and 230 V/AC	8,5 VA

→ Current input.

24 V/DC	0,271 A
24 V/AC	0,354 A
230 V/AC	0,039 A



→ Standard voltages.

24 Volts/DC	Art.-No. 272/004011
24 Volts/AC	Art.-No. 272/004012
230 Volts/AC	Art.-No. 272/004015

Other voltages available on inquiry.

Ventilation Valve

Type 04.1.00.006.02

→ Technical data.

Type of actuation	direct control
Nominal size	6 mm
Connection 1	external thread R 1/2"
Function	normally closed NC
Operating pressure	max. vacuum 99,9 %
Ambient temperature	max. 80° C
Duty cycle ED	100 %
Enclosure protection in compliance with DIN 40050	IP 00
IP 65 with connector	Art.-No. 229/000002.

→ Power input.

24 V/DC	6,5 W
24 V/AC and 230 V/AC	8,5 VA

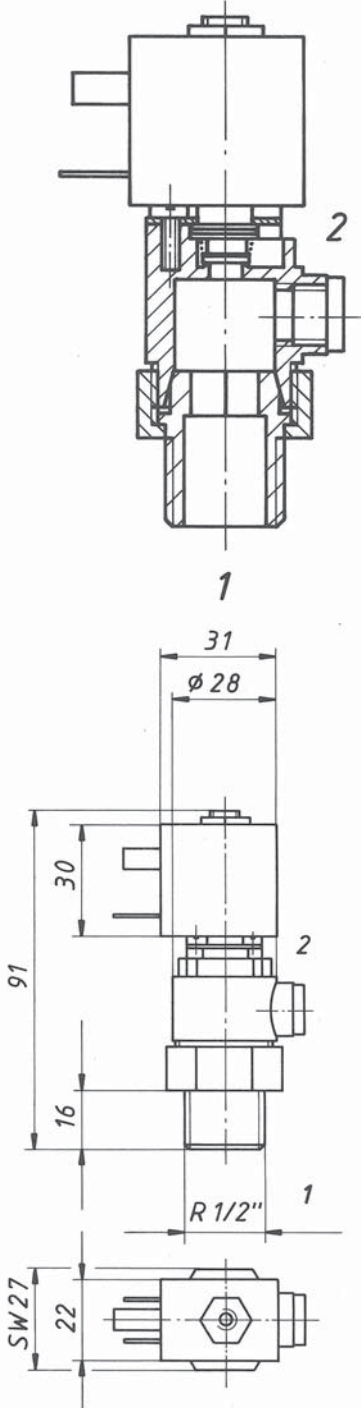
→ Current input.

24 V/DC	0,271 A
24 V/AC	0,354 A
230 V/AC	0,039 A

→ Standard voltages.

24 Volts/DC	Art.-No. 272/006021
24 Volts/AC	Art.-No. 272/006022
230 Volts/AC	Art.-No. 272/006025

Other voltages available on inquiry.



Ventilation Valve

Type 04.2.02.013.01

→ Technical data.

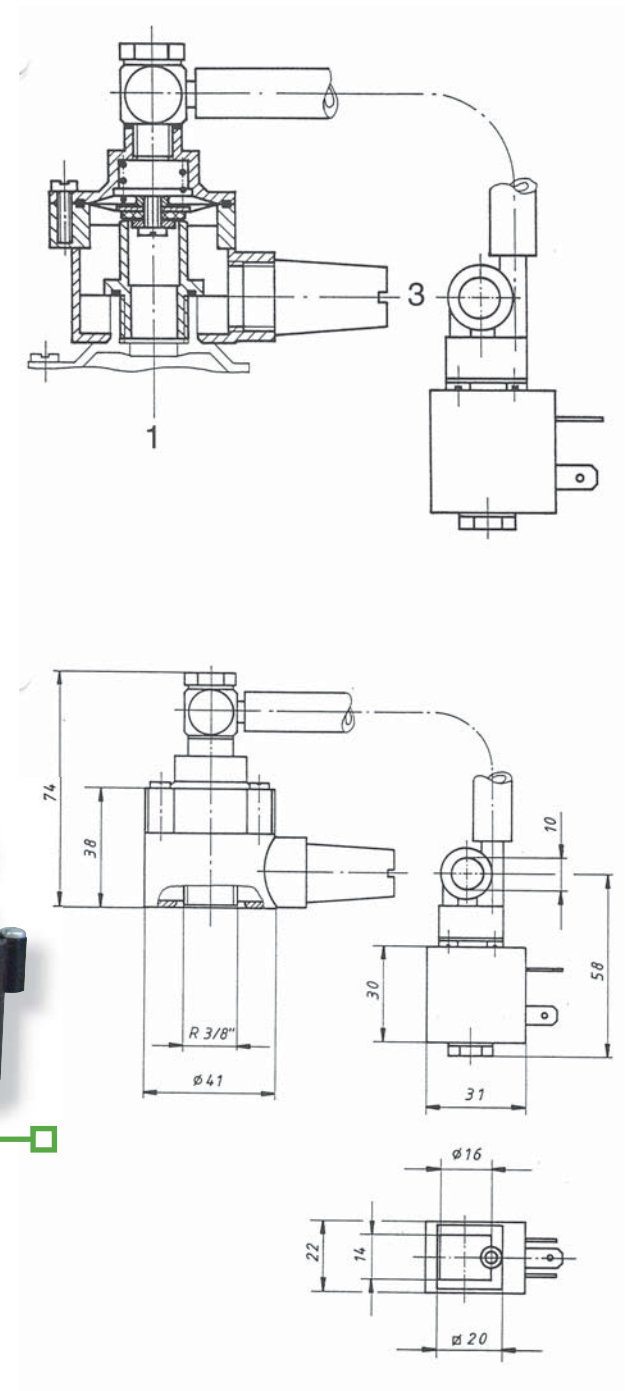
Type of actuation	vacuum pilot control
Nominal size	13 mm
Connection 1	external thread R 3/8"
Pilot control connection 3	for R 1/8" hollow screw
Function	normally closed NC
Operating pressure	max. vacuum 99,9 %
Ambient temperature	max. 80° C
Duty cycle ED	100 %
Enclosure protection in compliance with DIN 40050	IP 00
IP 65 with connector	Art.-No. 229/000002.

→ Power input.

24 V/DC	6,5 W
24 V/AC and 230 V/AC	8,5 VA

→ Current input.

24 V/DC	0,271 A
24 V/AC	0,354 A
230 V/AC	0,039 A



→ Standard voltages.

24 Volts/DC	Art.-No. 274/013011
24 Volts/AC	Art.-No. 274/013012
230 Volts/AC	Art.-No. 274/013015

Other voltages available on inquiry.

Ventilation Valve

Type 04.2.02.020.03

→ **Technical data.**

Type of actuation	vacuum pilot control
Nominal size	20 mm
Connection 1	external thread R 3/4"
Connection 2	internal thread R 1/2"
Pilot control connection 3	with hose 6 mm inside diameter
Function	normally closed NC
Operating pressure	max. vacuum 99,9 %
Ambient temperature	max. 80° C
Duty cycle ED	100 %
Enclosure protection in compliance with DIN 40050	IP 00
IP 65 with connector	Art.-No. 229/000002.

→ **Power input.**

24 V/DC	6,5 W
24 V/AC and 230 V/AC	8,5 VA

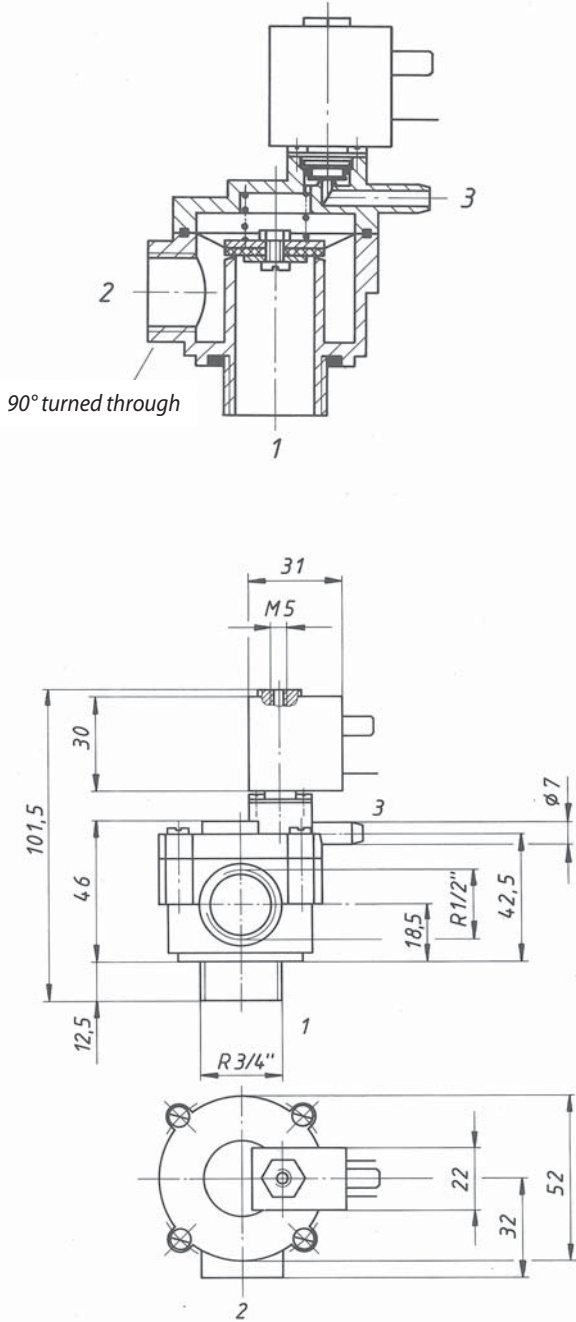
→ **Current input.**

24 V/DC	0,271 A
24 V/AC	0,354 A
230 V/AC	0,039 A

→ **Standard voltages.**

24 Volts/DC	Art.-No. 274/020031
24 Volts/AC	Art.-No. 274/020032
230 Volts/AC	Art.-No. 274/020035

Other voltages available on inquiry.



The ventilation connection 2 can be fitted with a sintered bronze silencer R 1/2" **Art.-No. 233/00014** as ventilation filter.

Ventilation Valve

Type 04.2.00.013.02

→ Technical data.

Type of actuation	vacuum pilot control
Nominal size	13 mm
Connection 1	external thread R 1/2"
Connection 2	4 x drilling Ø 9 mm
Function	normally closed NC
Operating pressure	max. vacuum 99,9 %
Ambient temperature	max. 80° C
Duty cycle ED	100 %
Enclosure protection in compliance with DIN 40050	IP 00
IP 65 with connector	Art.-No. 229/000002.



→ Power input.

24 V/DC	6,5 W
24 V/AC and 230 V/AC	8,5 VA

→ Current input.

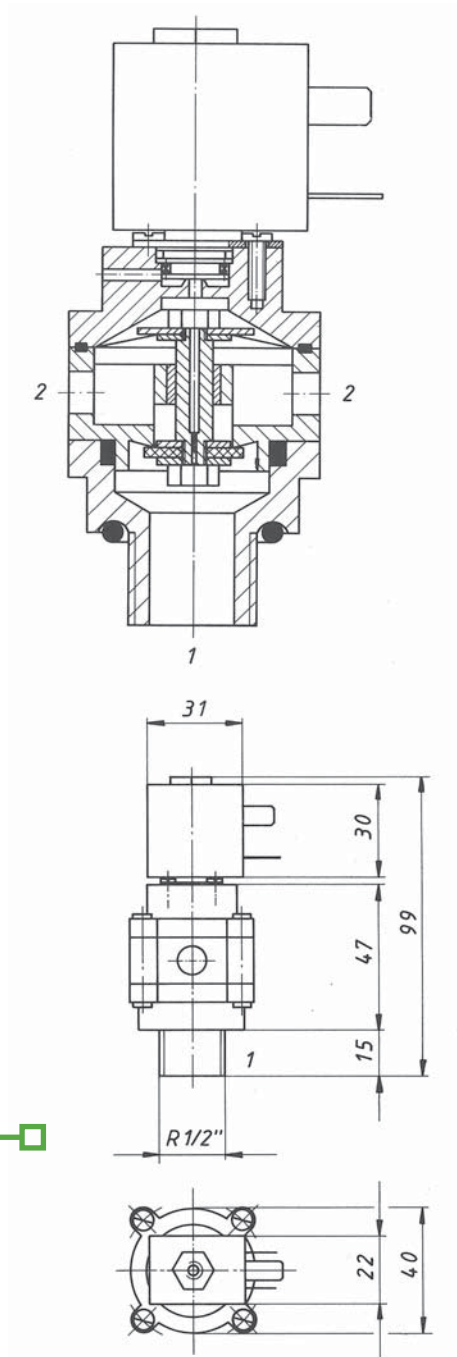
24 V/DC	0,271 A
24 V/AC	0,354 A
230 V/AC	0,039 A

→ Standard voltages.

24 Volts/DC	Art.-No. 275/013021
24 Volts/AC	Art.-No. 275/013022
230 Volts/AC	Art.-No. 275/013025

Other voltages available on inquiry.

Ventilation Valve



Type 04.2.00.020.01

→ Technical data.

Type of actuation	vacuum pilot control
Nominal size	20 mm
Connection 1	external thread R 3/4"
Connection 2	4 x drilling Ø 11 mm
Function	normally closed NC
Operating pressure	max. vacuum 99,9 %
Ambient temperature	max. 80° C
Duty cycle ED	100 %
Enclosure protection in compliance with DIN 40050	IP 00
IP 65 with connector	Art.-No. 229/000002.

→ Power input.

24 V/DC	6,5 W
24 V/AC and 230 V/AC	8,5 VA

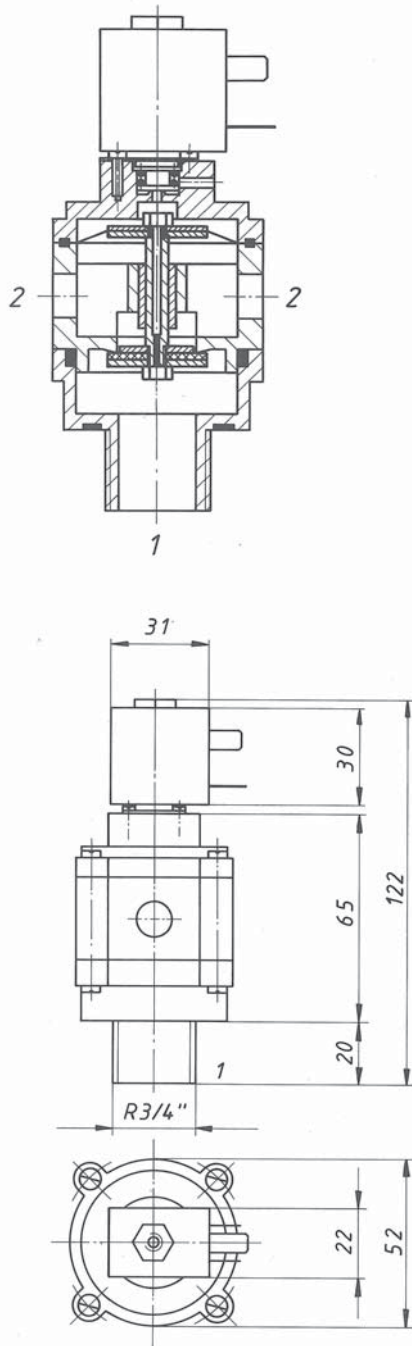
→ Current input.

24 V/DC	0,271 A
24 V/AC	0,354 A
230 V/AC	0,039 A

→ Standard voltages.

24 Volts/DC	Art.-No. 275/020011
24 Volts/AC	Art.-No. 275/020012
230 Volts/AC	Art.-No. 275/020015

Other voltages available on inquiry.



Ventilation Valve

Type 04.2.00.032.03

→ Technical data.

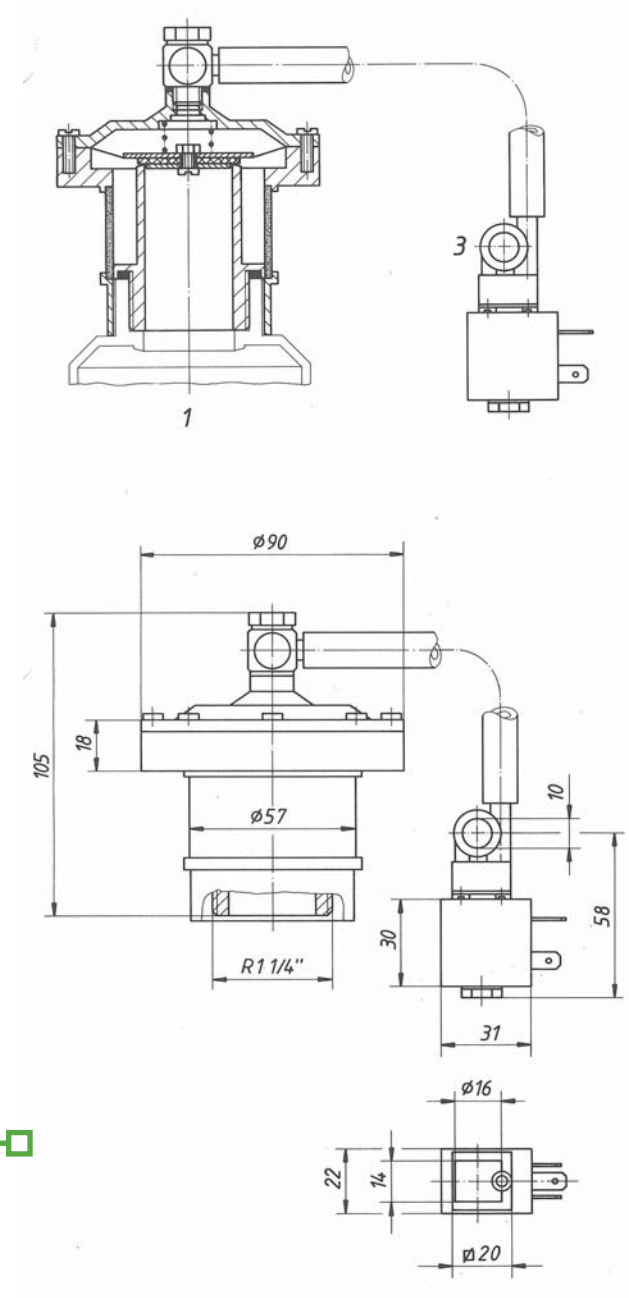
Type of actuation	vacuum pilot control
Nominal size	32 mm
Connection 1	external thread R 1 1/4"
Pilot control connection 3	for R 1/8" hollow screw
Function	normally closed NC
Operating pressure	max. vacuum 99,9 %
Ambient temperature	max. 80° C
Duty cycle ED	100 %
Enclosure protection in compliance with DIN 40050	IP 00
IP 65 with connector	Art.-No. 229/000002.

→ Power input.

24 V/DC	6,5 W
24 V/AC and 230 V/AC	8,5 VA

→ Current input.

24 V/DC	0,271 A
24 V/AC	0,354 A
230 V/AC	0,039 A

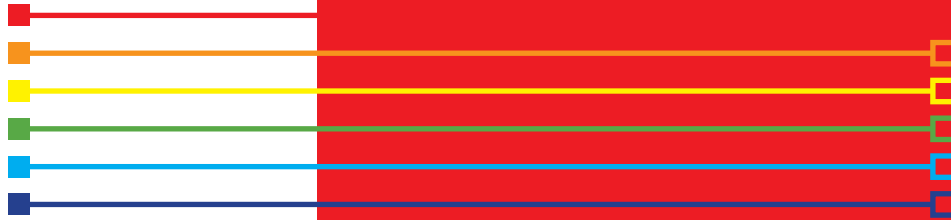


→ Standard voltages.

24 Volts/DC	Art.-No. 275/032031
24 Volts/AC	Art.-No. 275/032032
230 Volts/AC	Art.-No. 275/032035

Other voltages available on inquiry.

Ventilation Valve



→ **Meßner GmbH & Co. KG**

Echternhagen 7

32689 Kalletal - Germany

phone +49 5264.640-0

fax +49 5264.640-135

info@messner-pumpen.de



© Meßner 04/2007 - Art.-No. 232/000105

We reserve the right to make changes for further technical improvement.