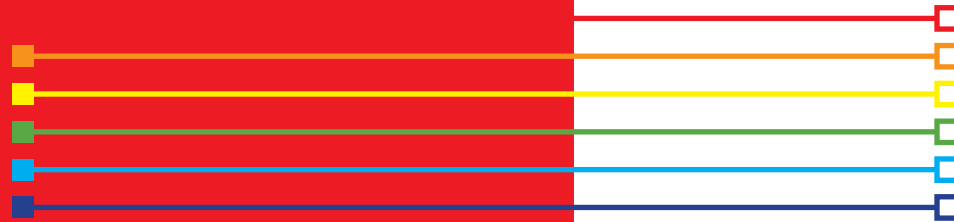


# Vacuum Technology.



**Valve Batteries &  
Vacuum Cylinder**



### → Our company

Founded in 1970 by Ernst-Günter Meßner, our company started by dealing in industrial commodities. Shortly thereafter, we took the step towards our own production of special fittings and pumps used in specialised machinery. The resulting expansion of our business made it necessary for us to establish a new

production and administration building in Kalletal.

In 1976, we produced the first products used in vacuum technology. Within only a few years, we managed to develop a compact product line which set completely new standards in this area.

Our trend-setting products, made according to the current state of the art, and our

second-to-none service and flexibility soon turned Meßner into a household name.

We are proud to list well-known machine and plant manufacturers from all over the world among our satisfied customers.



## → The Packaging- Machinery-Programm

Our packaging-machinery programm contains valve batteries in nominal sizes between 6 and 50 mm.

The nominal sizes 6 and 8 mm concern each, a direct-controlled ventilation- and sealing valve. They are partially mounted with an additional vacuum gauge connection.

The nominal sizes between 20 and 50 mm are vacuum pilot controlled and are used for vacuum packaging machines with additional laying of gas obstacle of the chamber. Additional hose connections are possible on the pump- and chamber side.

Our vacuum cylinders with 50 to 110 mm piston diameter have also been designed for chamber-packaging machines.

They serve for the sealing of the foil, depending on the contact pressure of the sealing bar, single or in series mounted.

Vacuum cylinders can also be used for other requirements. – talk to us!

# Valve Batteries & Vacuum Cylinder

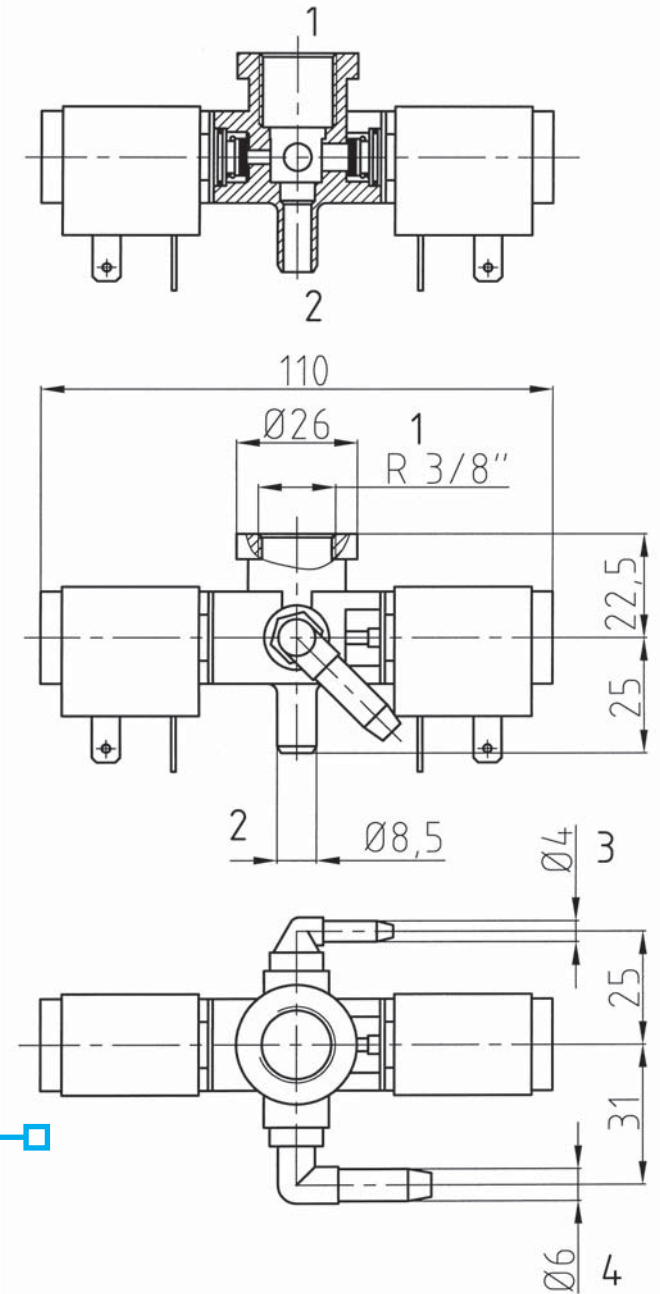
## → Summary.

Valve Batteries	Page 02	□
Valve Batteries/3	Page 09	□
Possible combinations & accessories	Page 12	□
Vacuum Cylinder	Page 15	□

# Type 05.1.01.006.01

## → Technical data.

Type of actuation	direct control
Nominal size	ventilation valve 6 mm 3/2-way solenoid valve 3 mm
Connection 1	internal thread R 3/8"
Connection 2	hose nozzle 8,5 mm
Connection 3	hose nozzle 4 mm
Connection 4	hose nozzle 6 mm
Function	
Ventilation valve	normally closed NC
3/2-Way solenoid valve	normally closed NC
Operation pressure	vacuum max. 99,9 %
Ambient temperature	max. 80° C
Duty cycle ED	100 %
Enclosure protection in compliance with DIN 40050	IP 00
IP 65 with connector	<b>Art.-No. 229/000002</b>



## → Power input. (per coil)

24 V/DC	6,5 W
24 V/AC and 230 V/AC	8,5 VA

## → Current input. (per coil)

24 V/DC	0,271 A
24 V/AC	0,354 A
230 V/AC	0,039 A

## → Standard voltages.

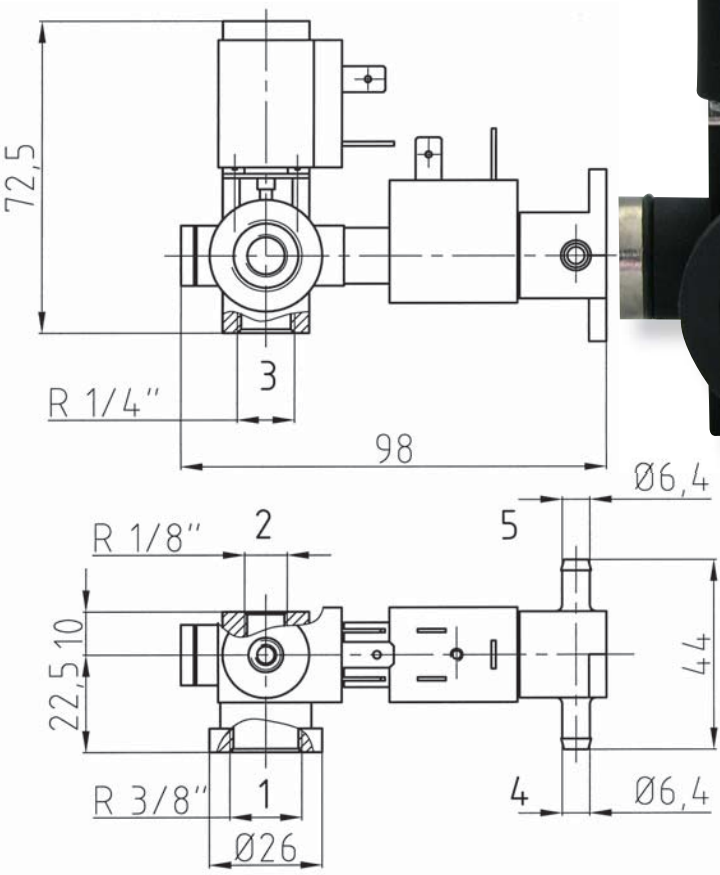
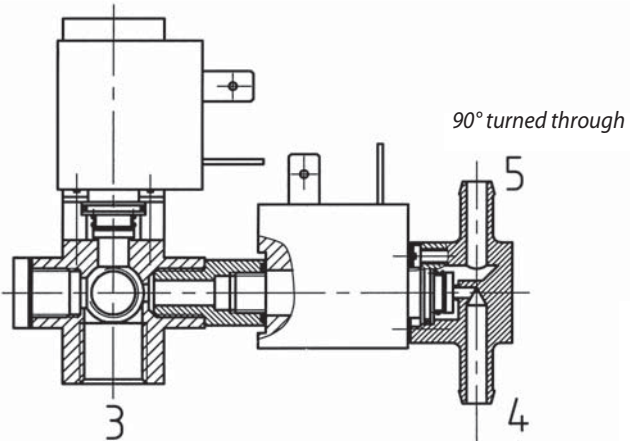
24 Volts/DC	<b>Art.-No. 280/006011</b>
24 Volts/AC	<b>Art.-No. 280/006012</b>
230 Volts/AC	<b>Art.-No. 280/006015</b>

Other voltages available on inquiry.

## → Specials/Features.

Direct mounting at the backside of the chamber.  
With vacuum gauge- and cylinder connections.

# Type 05.1.01.006.03



→ **Technical data.**

Type of actuation	direct control
Nominal size	ventilation valve 6 mm 3/2-way solenoid valve 2 mm
Connection 1	internal thread R 3/8"
Connection 2	internal thread R 1/8"
Connection 3	internal thread R 1/4"
Connection 4+5	hose nozzle 6,4 mm
Function	
Ventilation valve	normally closed NC
3/2-Way solenoid valve	normally opened NO
Operation pressure	vacuum max. 99,9 %
Ambient temperature	max. 80° C
Duty cycle ED	100 %
Enclosure protection in compliance with DIN 40050	IP 00
IP 65 with connector	<b>Art.-No. 229/000002</b>

→ **Power input. (per coil)**

24 V/DC	6,5 W
24 V/AC and 230 V/AC	8,5 VA

→ **Current input. (per coil)**

24 V/DC	0,271 A
24 V/AC	0,354 A
230 V/AC	0,039 A

→ **Standard voltages.**

24 Volts/DC	<b>Art.-No. 280/006031</b>
24 Volts/AC	<b>Art.-No. 280/006032</b>
230 Volts/AC	<b>Art.-No. 280/006035</b>

Other voltages available on inquiry.

→ **Specials/Features.**  
 Direct mounting at the backside of the chamber.  
 With vacuum gauge- and cylinder connections.

## Valve Battery

# Type 05.1.02.006.01

## → Technical data.

Type of actuation	direct control
Nominal size	ventilation valve 6 mm 3/2-way solenoid valve 2 mm
Connection 1	external thread R 1/2"
Connection 2	hose nozzle 6,4 mm
Connection 3	hose nozzle 7,5 mm
Function	
Ventilation valve	normally closed NC
3/2-Way solenoid valve	normally opened NO
Operation pressure	vacuum max. 99,9 %
Ambient temperature	max. 80° C
Duty cycle ED	100 %
Enclosure protection in compliance with DIN 40050	IP 00
IP 65 with connector	<b>Art.-No. 229/000002</b>

## → Power input. (per coil)

24 V/DC	6,5 W
24 V/AC and 230 V/AC	8,5VA

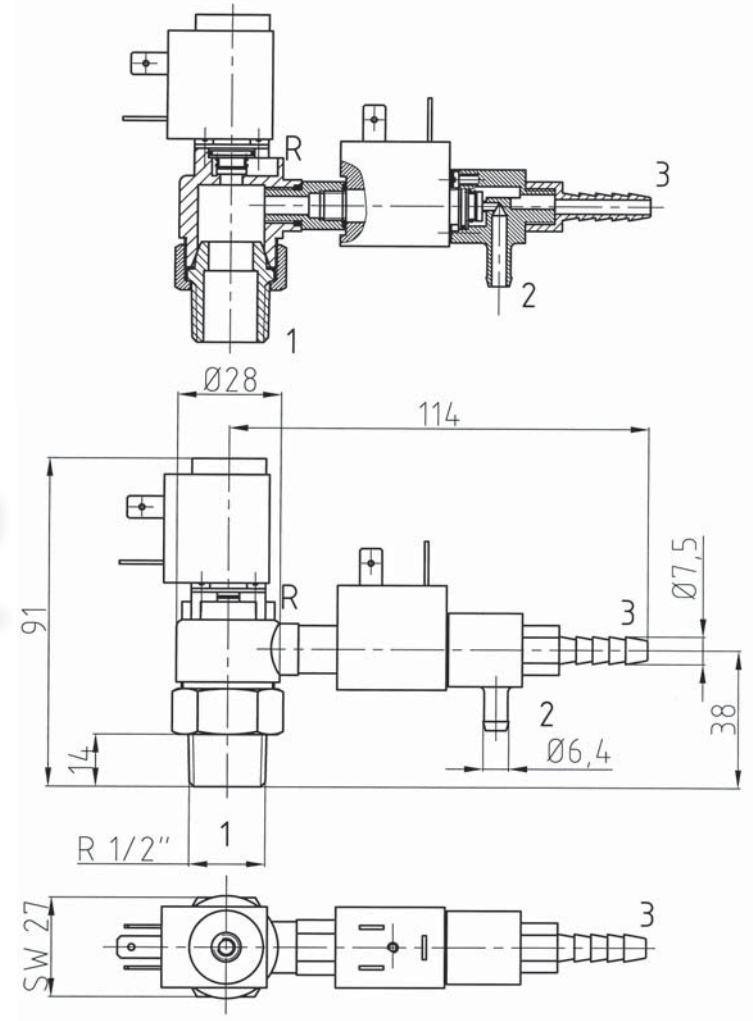
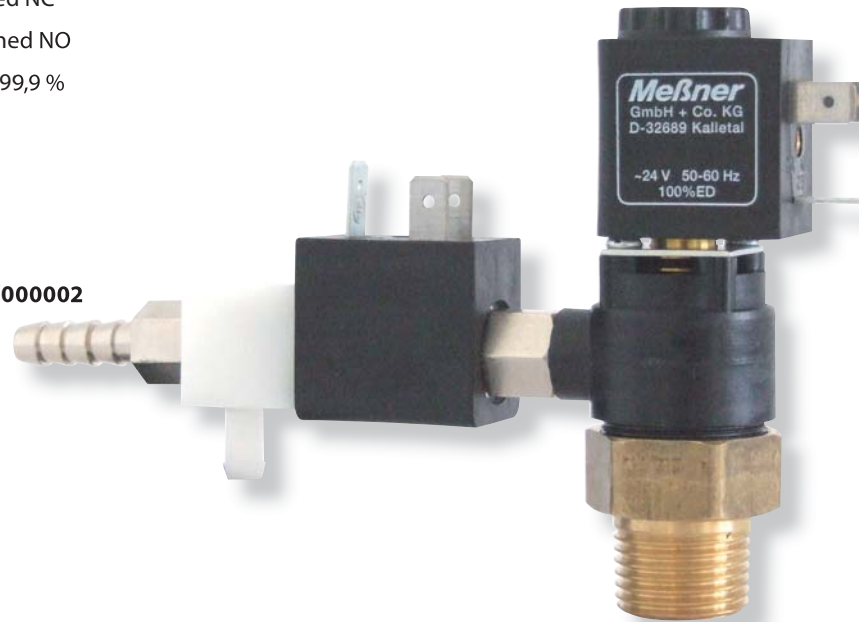
## → Current input. (per coil)

24 V/DC	0,271 A
24 V/AC	0,354 A
230 V/AC	0,039 A

## → Standard voltages.

24 Volts/DC	<b>Art.-No. 281/006011</b>
24 Volts/AC	<b>Art.-No. 281/006012</b>
230 Volts/AC	<b>Art.-No. 281/006015</b>

Other voltages available on inquiry.



## Valve Battery

# Type 05.1.02.006.03

→ **Technical data.**

Type of actuation	direct control
Nominal size	ventilation valve 6 mm 3/2-way solenoid valve 3,5 mm
Connection 1	external thread R 1/2"
Connection 2	hose nozzle 7 mm
Function	
Ventilation valve	normally closed NC
3/2-Way solenoid valve	normally closed NC
Operation pressure	vacuum max. 99,9 %
Ambient temperature	max. 80° C
Duty cycle ED	100 %
Enclosure protection in compliance with DIN 40050	IP 00
IP 65 with connector	<b>Art.-No. 229/000002</b>

→ **Power input. (per coil)**

24 V/DC	6,5 W
24 V/AC and 230 V/AC	8,5VA

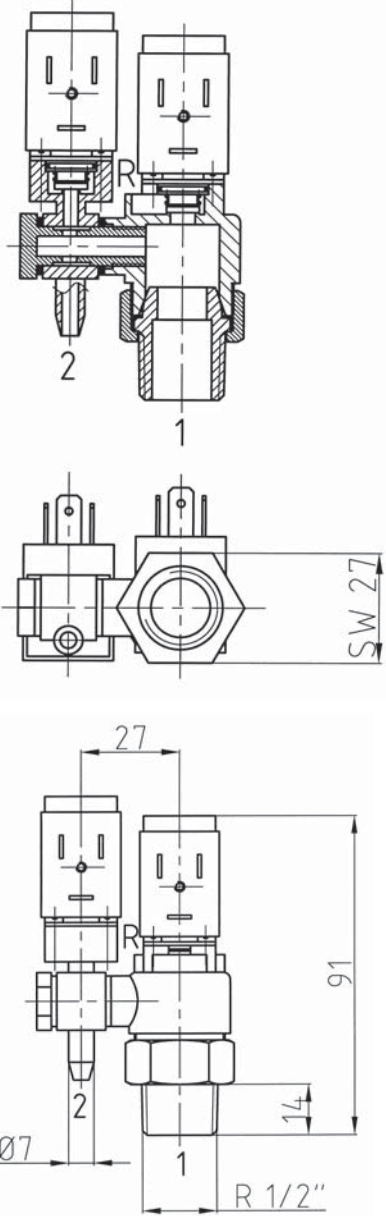
→ **Current input. (per coil)**

24 V/DC	0,271 A
24 V/AC	0,354 A
230 V/AC	0,039 A

→ **Standard voltages.**

24 Volts/DC	<b>Art.-No. 281/006031</b>
24 Volts/AC	<b>Art.-No. 281/006032</b>
230 Volts/AC	<b>Art.-No. 281/006035</b>

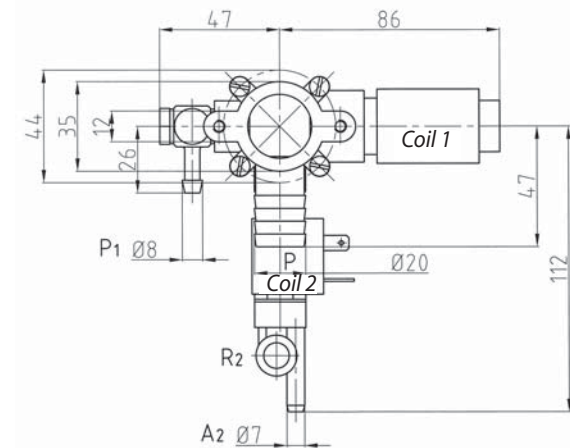
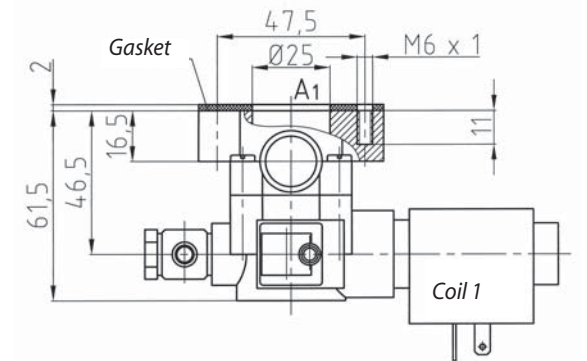
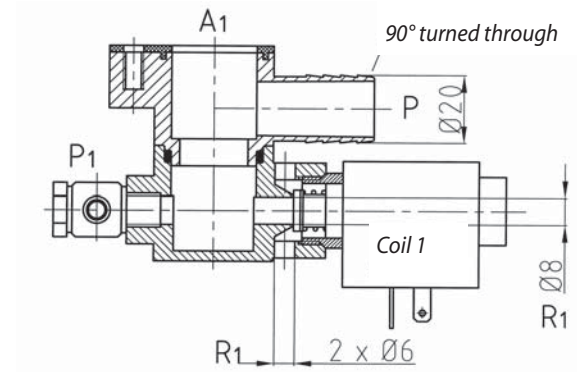
*Other voltages available on inquiry.*



# Type 05.1.00.008.01

## → Technical data.

Type of actuation	direct control
Nominal size	ventilation valve 8 mm 3/2-way solenoid valve 2 mm
Pump connection P	hose nozzle 20 mm
Pump connection P1	hose nozzle 8 mm
Working connection A1	flange Ø 25 mm
Working connection A2	hose nozzle 7 mm
Function	
Ventilation valve	normally closed NC
3/2-Way solenoid valve	normally opened NO
Operation pressure	vacuum max. 99,9 %
Ambient temperature	max. 80° C
Duty cycle ED	100 %
Enclosure protection in compliance with DIN 40050	IP 00
IP 65 with connector	<b>Art.-No. 229/000002</b> <b>Art.-No. 229/000003</b>



## → Power input.

	Coil 1	Coil 2
24 V/DC	10 W	6,5 W
24 V/AC and 230 V/AC	13 VA	8,5 VA

## → Current input.

	Coil 1	Coil 2
24 V/DC	0,417 A	0,271 A
24 V/AC	0,542 A	0,354 A
230 V/AC	0,059 A	0,039 A

## → Standard voltages.

24 Volts/DC	<b>Art.-No. 282/008011</b>
24 Volts/AC	<b>Art.-No. 282/008012</b>
230 Volts/AC	<b>Art.-No. 282/008015</b>

Other voltages available on inquiry.

## → Specials/Features.

Direct mounting at the backside of the chamber.  
With vacuum gauge- and cylinder connections.

# Valve Battery



# Type 05.1.00.008.02

→ **Technical data.**

Type of actuation	direct control
Nominal size	ventilation valve 8 mm 3/2-way solenoid valve 3,5 mm
Pump connection P	hose nozzle 20 mm
Pump connection P1	hose nozzle 8 mm
Working connection A1	flange Ø 25 mm
Working connection A2	hose nozzle 7 mm
Function	
Ventilation valve	normally closed NC
3/2-Way solenoid valve	normally closed NC
Operation pressure	vacuum max. 99,9 %
Ambient temperature	max. 80° C
Duty cycle ED	100 %
Enclosure protection in compliance with DIN 40050	IP 00
IP 65 with connector	<b>Art.-No. 229/000002</b> <b>Art.-No. 229/000003</b>



→ **Power input.**

	<b>Coil 1</b>	<b>Coil 2</b>
24 V/DC	10 W	6,5 W
24 V/AC and 230 V/AC	13 VA	8,5 VA

→ **Current input.**

	<b>Coil 1</b>	<b>Coil 2</b>
24 V/DC	0,417 A	0,271 A
24 V/AC	0,542 A	0,354 A
230 V/AC	0,059 A	0,039 A

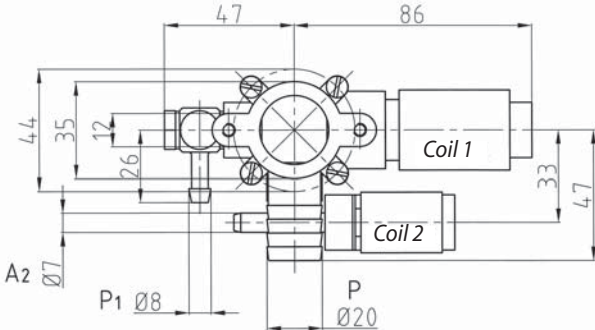
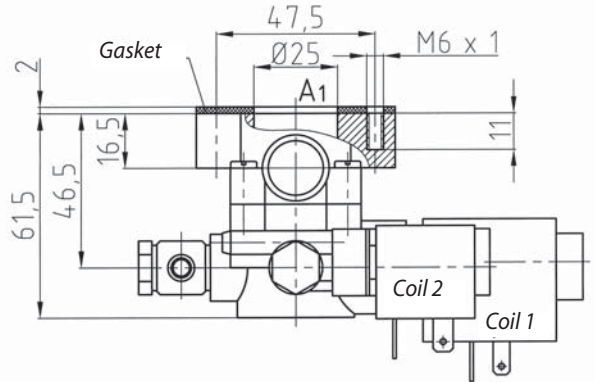
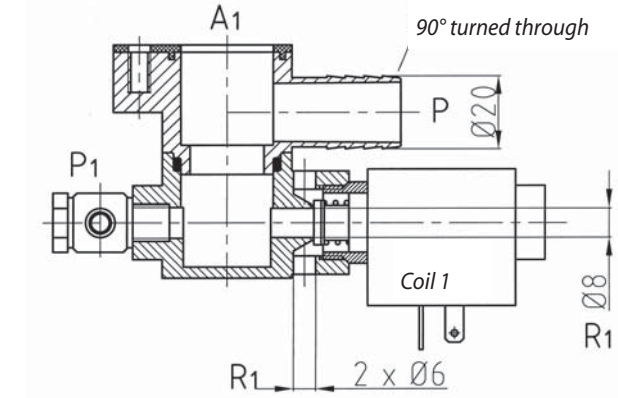
→ **Specials/Features.**

Direct mounting at the backside of the chamber.  
With vacuum gauge- and cylinder connections.

→ **Standard voltages.**

24 Volts/DC	<b>Art.-No. 282/008021</b>
24 Volts/AC	<b>Art.-No. 282/008022</b>
230 Volts/AC	<b>Art.-No. 282/008025</b>

Other voltages available on inquiry.



# Type 05.1.02.008.01

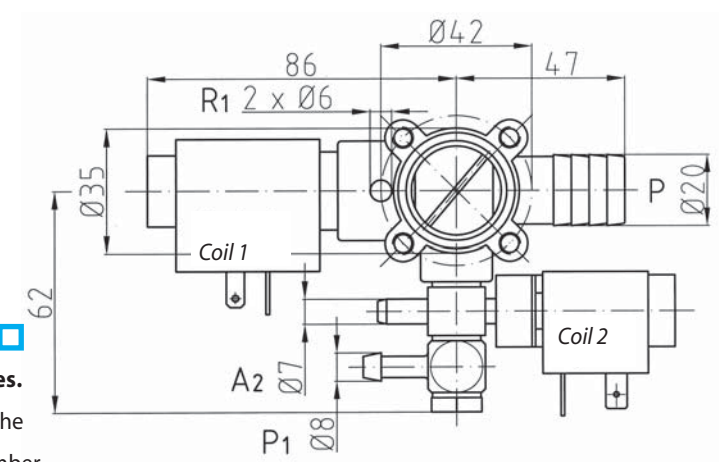
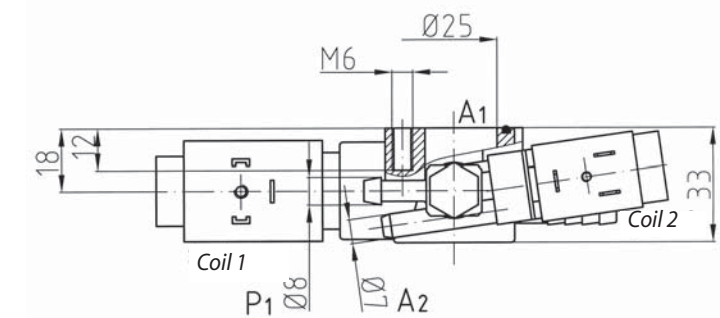
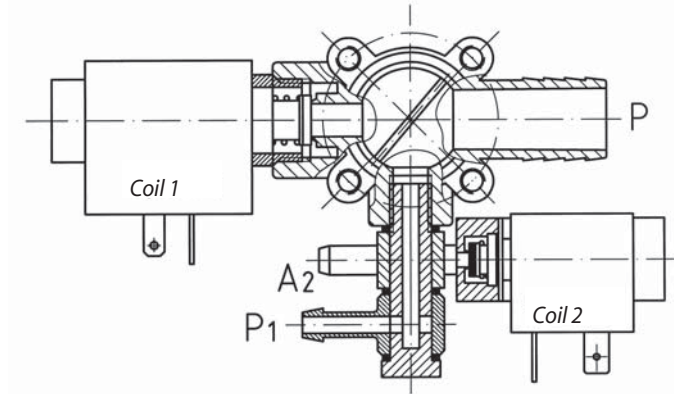
## → Technical data.

Type of actuation	direct control
Nominal size	ventilation valve 8 mm 3/2-way solenoid valve 3,5 mm
Pump connection P	hose nozzle 20 mm
Pump connection P1	hose nozzle 8 mm
Working connection A1	flange Ø 25 mm
Working connection A2	hose nozzle 7 mm
Function	
Ventilation valve	normally closed NC
3/2-Way solenoid valve	normally closed NC*
Operation pressure	vacuum max. 99,9 %
Ambient temperature	max. 80° C
Duty cycle ED	100 %
Enclosure protection in compliance with DIN 40050	IP 00
IP 65 with connector	<b>Art.-No. 229/000002</b> <b>Art.-No. 229/000003</b>

\*also available as NO

<b>→ Power input.</b>	<b>Coil 1</b>	<b>Coil 2</b>
24 V/DC	10 W	6,5 W
24 V/AC and 230 V/AC	13 VA	8,5 VA

<b>→ Current input.</b>	<b>Coil 1</b>	<b>Coil 2</b>
24 V/DC	0,417 A	0,271 A
24 V/AC	0,542 A	0,354 A
230 V/AC	0,059 A	0,039 A



<b>→ Standard voltages.</b>	
24 Volts/DC	<b>Art.-No. 281/008011</b>
24 Volts/AC	<b>Art.-No. 281/008012</b>
230 Volts/AC	<b>Art.-No. 281/008015</b>

Other voltages available on inquiry.

**→ Specials/Features.**  
Direct mounting at the backside of the chamber.  
With vacuum gauge- and cylinder connections.

## Valve Battery

# Type 05.2.02.025.01

## → Technical data.

Type of actuation	vacuum pilot control
Nominal size	25 mm
Pump connection P	hose nozzle 27 mm
Working connection A	internal thread R 1"
Ventilation connection R	internal thread R 1/2"
Connection 1	internal thread R 1/4"
Function	normally closed NC
Operation pressure	vacuum max. 99,9 %
Ambient temperature	max. 80° C
Duty cycle ED	100 %
Enclosure protection in compliance with DIN 40050	IP 00
IP 65 with connector	<b>Art.-No. 229/000002</b>

## → Power input. (per coil)

24 V/DC	6,5 W
24 V/AC and 230 V/AC	8,5 VA

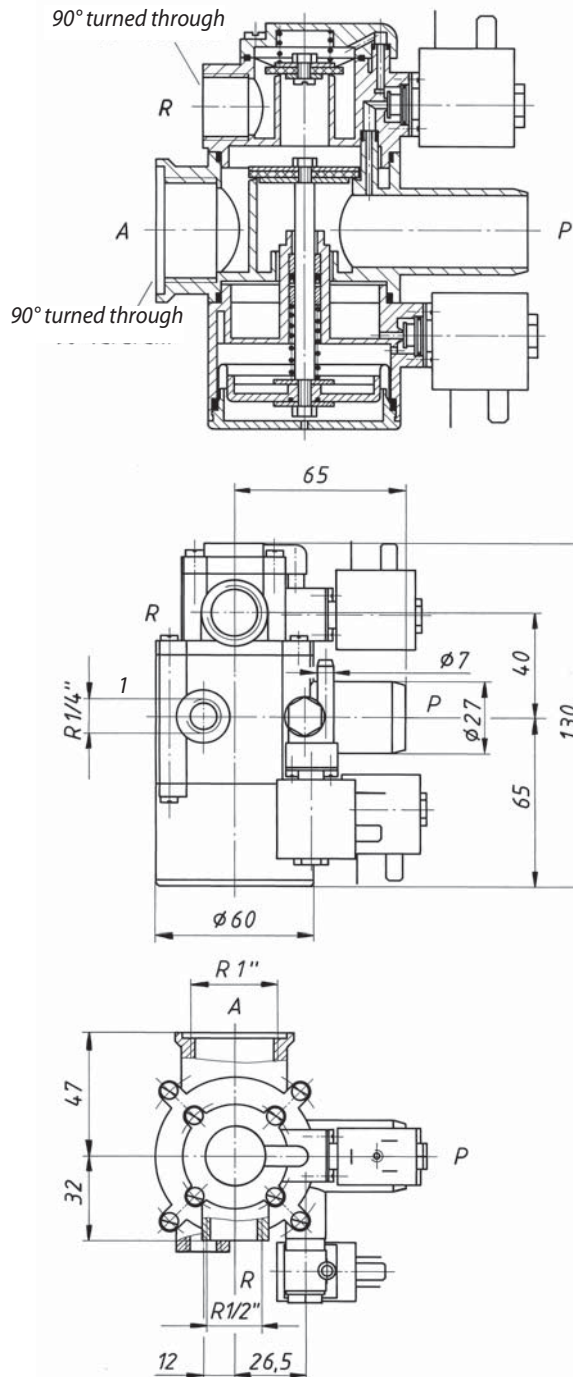
## → Current input. (per coil)

24 V/DC	0,271 A
24 V/AC	0,354 A
230 V/AC	0,039 A

## → Standard voltages.

24 Volts/DC	<b>Art.-No. 284/025011</b>
24 Volts/AC	<b>Art.-No. 284/025012</b>
230 Volts/AC	<b>Art.-No. 284/025015</b>

Other voltages available on inquiry.



# Valve Battery/3

## Type 05.2.01.032.17

### → Technical data.

Type of actuation	vacuum pilot control
Nominal size	3/2-way solenoid valve 32 mm ventilation valve 20 mm
Pump connection P	internal thread R 1 1/4"
Working connection A	internal thread R 1 1/4"
Ventilation connection R	internal thread R 1/2"
Function	normally closed NC
Operation pressure	vacuum max. 99,9 %
Ambient temperature	max. 80° C
Duty cycle ED	100 %
Enclosure protection in compliance with DIN 40050	IP 00
IP 65 with connector	<b>Art.-No. 229/000002</b>

### → Power input. (per coil)

24 V/DC	6,5 W
24 V/AC and 230 V/AC	8,5 VA

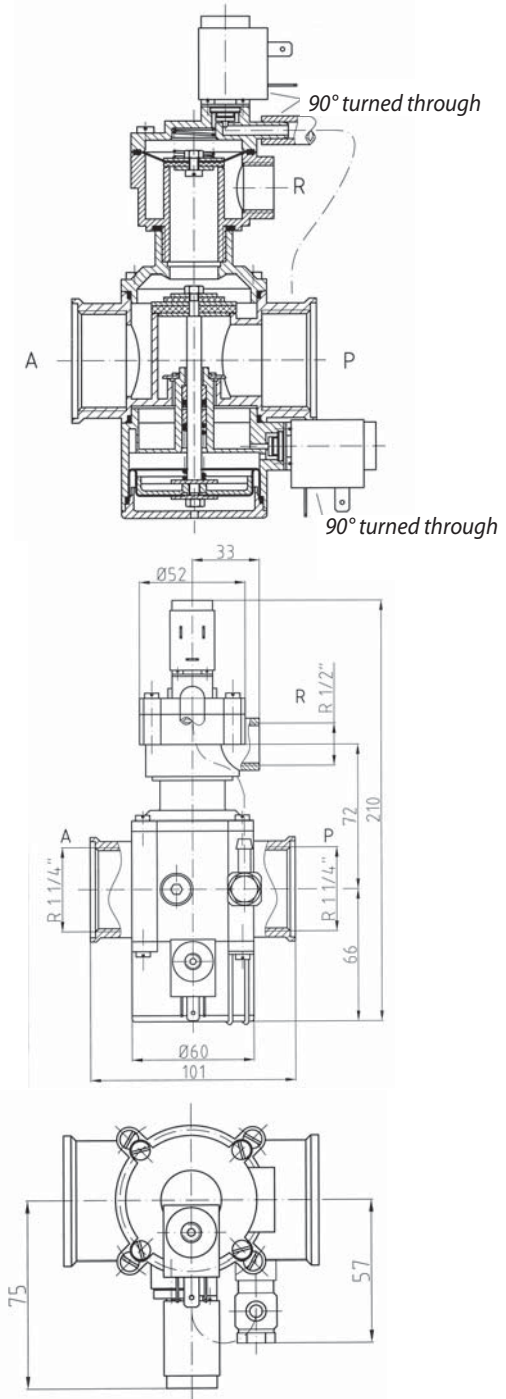
### → Current input. (per coil)

24 V/DC	0,271 A
24 V/AC	0,354 A
230 V/AC	0,039 A

### → Standard voltages.

24 Volts/DC	<b>Art.-No. 283/032171</b>
24 Volts/AC	<b>Art.-No. 283/032172</b>
230 Volts/AC	<b>Art.-No. 283/032175</b>

Other voltages available on inquiry.



## Valve Battery/3

## Type 05.2.01.050.04

### → Technical data.

Type of actuation	vacuum pilot control
Nominal size	3/2-way solenoid valve 50 mm ventilation valve 32 mm
Pump connection P	internal thread R 2"
Working connection A	internal thread R 2"
Function	normally closed NC
Operation pressure	vacuum max. 99,9 %
Ambient temperature	max. 80° C
Duty cycle ED	100 %
Enclosure protection in compliance with DIN 40050	IP 00
IP 65 with connector	<b>Art.-No. 229/000002</b>

### → Power input. (per coil)

24 V/DC	6,5 W
24 V/AC and 230 V/AC	8,5 VA

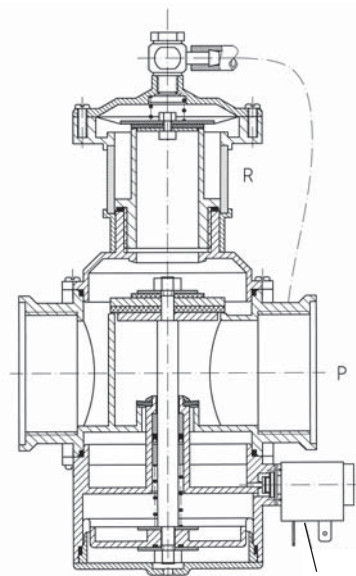
### → Current input. (per coil)

24 V/DC	0,271 A
24 V/AC	0,354 A
230 V/AC	0,039 A

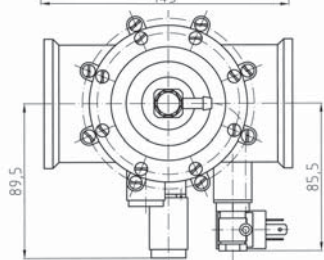
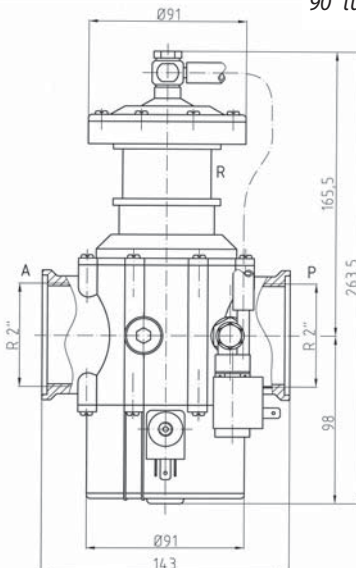
### → Standard voltages.

24 Volts/DC	<b>Art.-No. 283/050041</b>
24 Volts/AC	<b>Art.-No. 283/050042</b>
230 Volts/AC	<b>Art.-No. 283/050045</b>

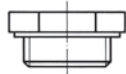
Other voltages available on inquiry.



90° turned through



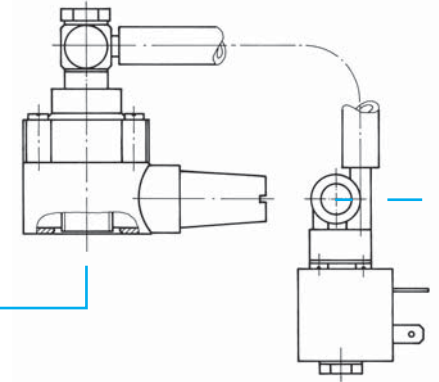
→ closing with R 3/8" screw plug Art.-No. 233/000019 for use as 2/2-way solenoid valve



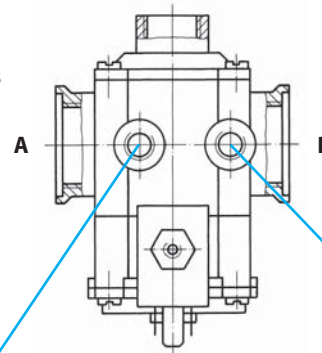
→ with sintered bronze silencer R 3/8" Art.-No. 215/000013 as ventilation filter



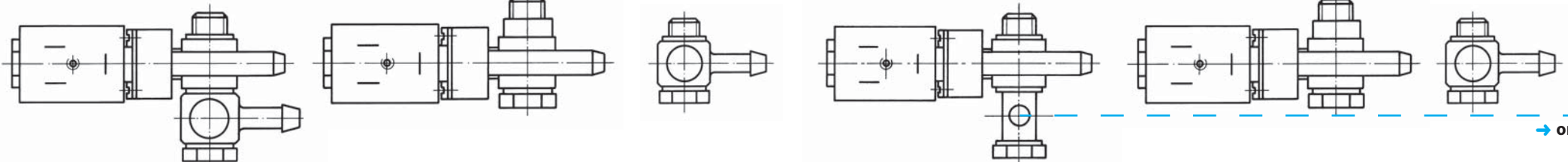
→ with ventilation valve R 3/8" Type 04.2.02.013.01 for use as valve group



→ 3/2-way solenoid valve/3 Type 02.2.01.020.01



→ Vacuum pilot control connection mounted with R 1/8" single-bore hollow screw Art.-No. 233/000014



→ with 3/2-way solenoid valve Type 02.1.00.004.01 as "soft ventilation valve" and R 1/8" - 6 mm swivel ring piece Art.-No. 233/000001 as vacuum gauge connection mounted with R 1/8" double-bore hollow screw Art.-No. 233/000003

→ with 3/2-way solenoid valve Type 02.1.00.004.01 as "soft ventilation valve" mounted with R 1/8" single-bore hollow screw Art.-No. 233/000014

→ with R 1/8" - 6 mm swivel ring piece Art.-No. 233/000001 as vacuum gauge connection mounted with R 1/8" single-bore hollow screw Art.-No. 233/000014

→ with 3/2-way solenoid valve Type 02.1.00.004.01 as "weld valve" and ventilation valve Type 04.2.02.013.01 mounted with R 1/8" double-bore hollow screw Art.-No. 233/000003

→ with 3/2-way solenoid valve Type 02.1.00.004.01 as "weld valve" mounted with R 1/8" single-bore hollow screw Art.-No. 233/000014

→ with R 1/8" - 6 mm swivel ring piece Art.-No. 233/000001 mounted with R 1/8" single-bore hollow screw Art.-No. 233/000014

## Possible combinations & accessories

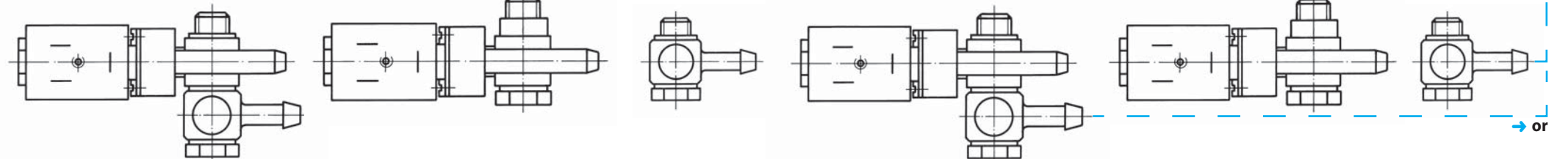
→ closing with R 3/4" screw plug Art.-No. 233/000002 for use as 2/2-way solenoid valve

→ with sintered bronze silencer R 3/4" Art.-No. 215/000015 as ventilation filter

→ with ventilation valve R 3/4" Type 04.2.02.020.03 for use as valve group

→ 3/2-way solenoid valve Type 02.2.01.032.15

→ Vacuum pilot control connection



→ with 3/2-way solenoid valve Type 02.1.00.004.01 as "soft-ventilation valve" and R 1/8" - 6 mm swivel ring piece Art.-No. 233/000001 as vacuum gauge connection mounted with R 1/8" double-bore hollow screw Art.-No. 233/000003

→ with 3/2-way solenoid valve Type 02.1.00.004.01 as "soft ventilation valve" mounted with R 1/8" single-bore hollow screw Art.-No. 233/000014

→ with R 1/8" - 6 mm swivel ring piece Art.-No. 233/000001 as vacuum gauge connection mounted with R 1/8" single-bore hollow screw Art.-No. 233/000014

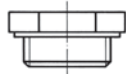
→ with 3/2-way solenoid valve Type 02.1.00.004.01 as „weld valve" and R 1/8" - 6 mm swivel ring piece Art.-No. 233/000001 in conjunction with ventilation valve mounted with R 1/8" double-bore hollow screw Art.-No. 233/000003

→ with 3/2-way solenoid valve Type 02.1.00.004.01 as „weld valve" mounted with R 1/8" single-bore hollow screw Art.-No. 233/000014

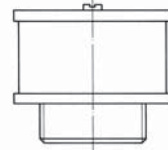
→ with R 1/8" - 6 mm swivel ring piece Art.-No. 233/000001 in conjunction with ventilation valve mounted with R 1/8" single-bore hollow screw Art.-No. 233/000014

## Possible combinations & accessories

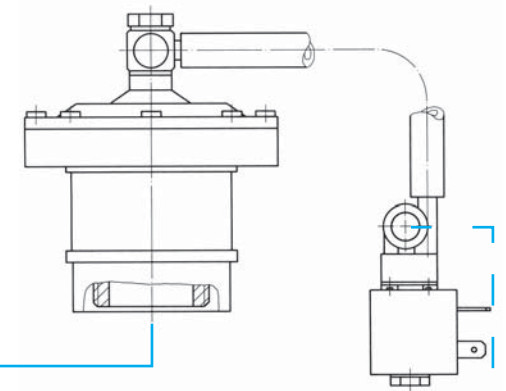
→ closing with R 1 1/4" screw plug Art.-No. 233/000033 for use as 2/2-way solenoid valve



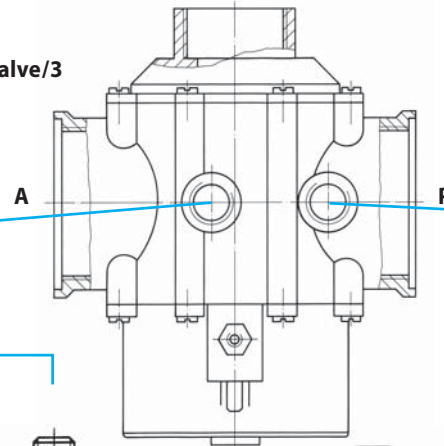
→ with sintered bronze silencer R 1 1/4" Art.-No. 210/000424 as ventilation filter



→ with ventilation valve R 1 1/4" Type 04.2.00.032.03 for use as valve group

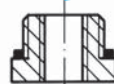


→ 3/2-way solenoid valve/3 Type 02.2.01.050.01

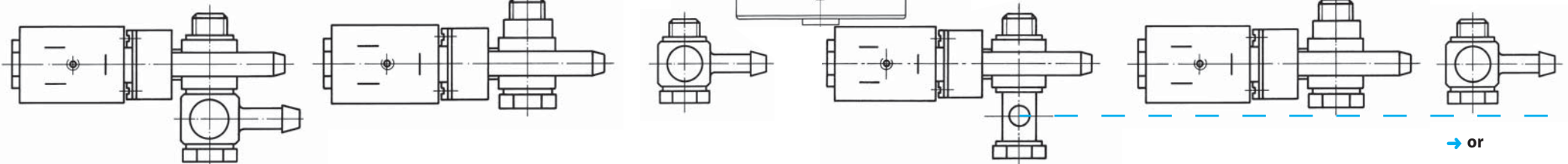


→ Vacuum pilot control connection mounted with R 1/8" single-bore hollow screw Art.-No. 233/000014

→ mounted with R 3/8" - 1/8" adapting piece Art.-No. 233/000038



→ mounted with R 3/8" - 1/8" adapting piece Art.-No. 233/000038



→ with 3/2-way solenoid valve Type 02.1.00.004.01 as "soft ventilation valve" and R 1/8" - 6 mm swivel ring piece Art.-No. 233/000001 as vacuum gauge connection mounted with R 1/8" double-bore hollow screw Art.-No. 233/000003

→ with 3/2 way solenoid valve Type 02.1.00.004.01 as "soft ventilation valve" mounted with R 1/8" single-bore hollow screw Art.-No. 233/000014

→ with R 1/8" - 6 mm swivel ring piece Art.-No. 233/000001 as vacuum gauge connection mounted with R 1/8" single-bore hollow screw Art.-No. 233/000014

→ with 3/2 way solenoid valve Type 02.1.00.004.01 as "weld valve" and ventilation valve R 1 1/4" Type 04.2.00.032.03 mounted with R 1/8" double-bore hollow screw Art.-No. 233/000003

→ with 3/2-way solenoid valve Type 02.1.00.004.01 as "weld valve" mounted with R 1/8" single-bore hollow screw Art.-No. 233/000014

→ with R 1/8" - 6 mm swivel ring piece Art.-No. 233/000001 mounted with R 1/8" single-bore hollow screw Art.-No. 233/000014.

→ or

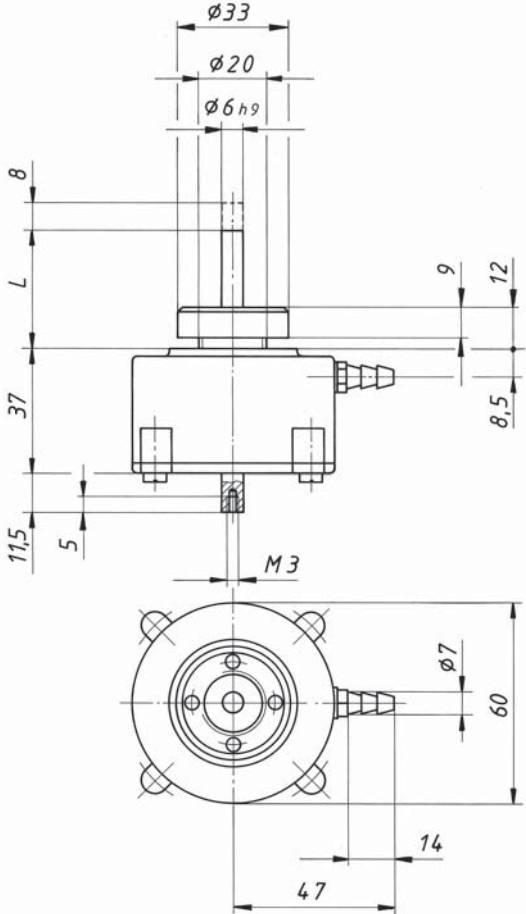
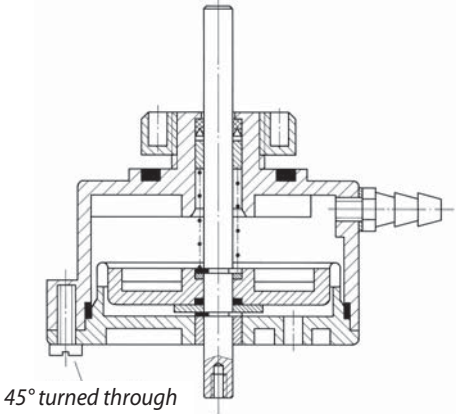
## Possible combinations & accessories



# Type 06.0.00.050. ...

→ **Technical data.**

Function	single-acting with spring returning
Connection	hose nozzle 7 mm
Piston diameter	50 mm
Cylinder power	180 N max.
Stroke	8 mm
Operation pressure	vacuum max. 99,9 %
Securing	central with union nut
Piston rod	through-going



→ **Specials/Features.**

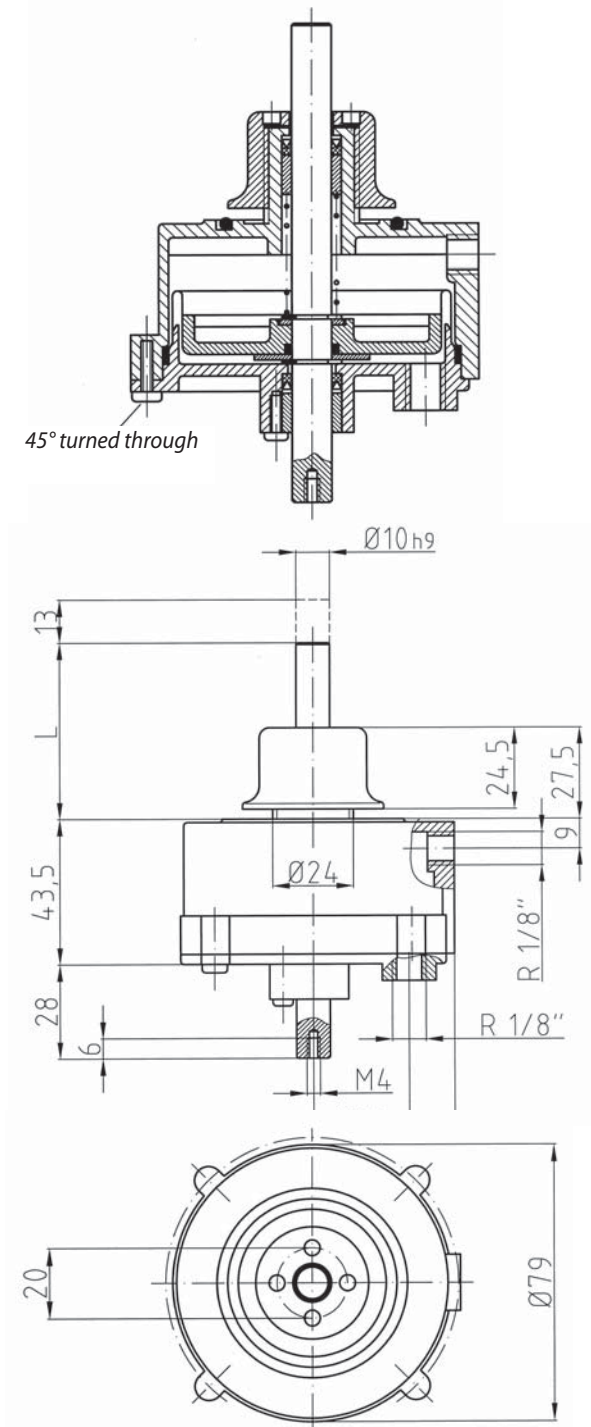
Cylinder with through-going piston rod allow a power-supply to the sealing bar.

## Vacuum Cylinder

## Type 06.0.00.070. ...

### → Technical data.

Function	single-acting with spring returning
Connection 1	R 1/8"
Connection 2	R 1/8"
Piston diameter	70 mm
Cylinder power	330 N max.
Stroke	13 mm
Operation pressure	vacuum max. 99,9 %
Securing	central with union nut
Piston rod	through-going



### → Specials/Features.

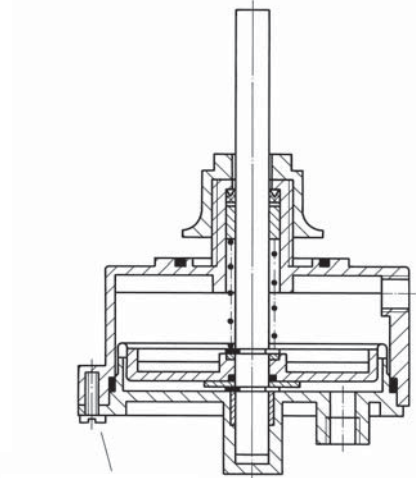
Cylinder with through-going piston rod allow a power-supply to the sealing bar.

## Vacuum Cylinder

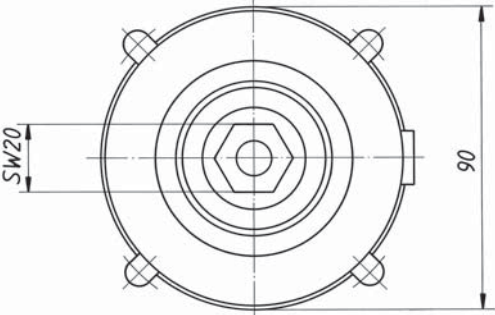
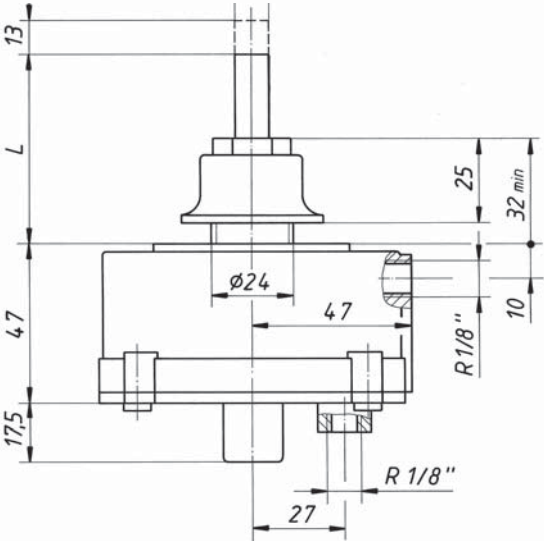
# Type 06.0.00.080. ...

→ **Technical data.**

Function	single-acting with spring returning
Ambient temperature	max. 80° C
Connection 1	R 1/8"
Connection 2	R 1/8"
Piston diameter	80 mm
Cylinder power	450 N max.
Stroke	13 mm
Operation pressure	vacuum max. 99,9 %
Securing	central with union nut
Piston rod	through-going or one-sided



45° turned through



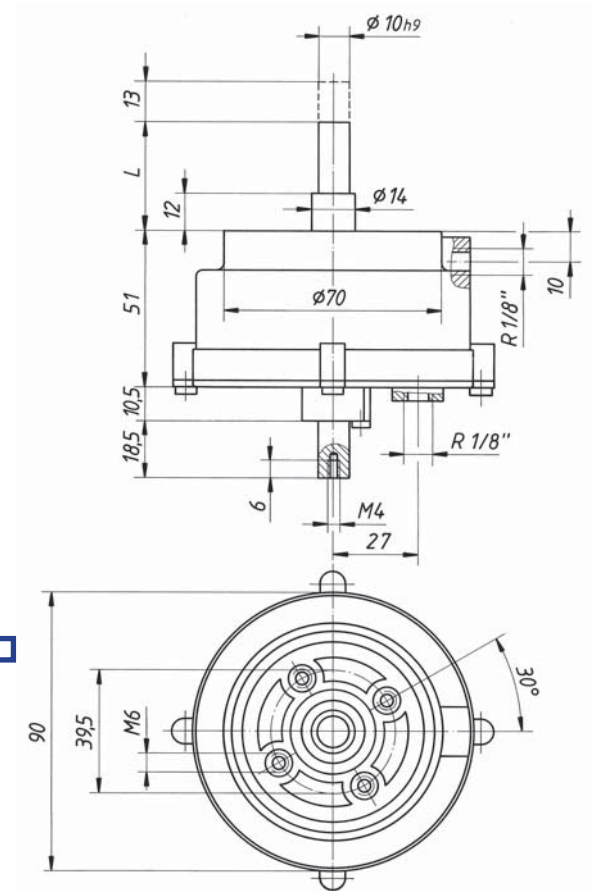
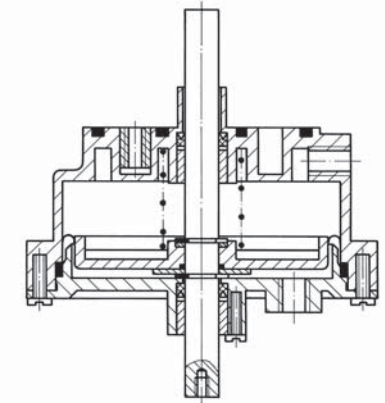
→ **Specials/Features.**

Cylinder with through-going piston rod allow a power-supply to the sealing bar.

## Type 06.0.00.080. ...

### → Technical data.

Function	single-acting with spring returning
Connection 1	R 1/8"
Connection 2	R 1/8"
Piston diameter	80 mm
Cylinder power	450 N max.
Stroke	13 mm
Operation pressure	vacuum max. 99,9 %
Securing	with 4 screws M 6
Piston rod	through-going or one-sided



### → Specials/Features.

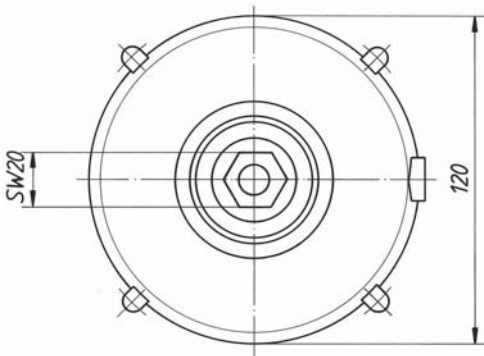
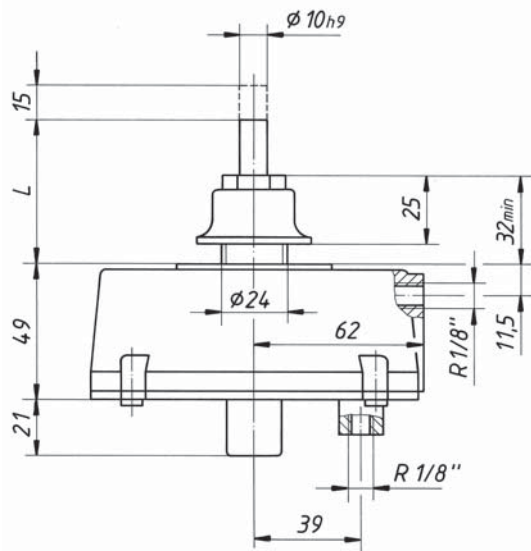
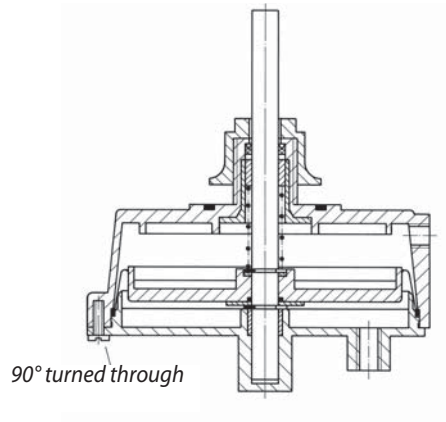
Cylinder with through-going piston rod allow a power-supply to the sealing bar.

## Vacuum Cylinder

# Type 06.0.00.105. ...

→ **Technical data.**

Function	single-acting with spring returning
Connection 1	R 1/8"
Connection 2	R 1/8"
Piston diameter	105 mm
Cylinder power	750 N max.
Stroke	15 mm
Operation pressure	vacuum max. 99,9 %
Securing	central with union nut
Piston rod	through-going or one-sided



→ **Specials/Features.**

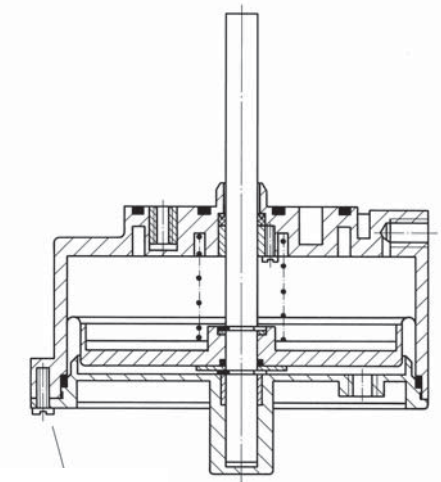
Cylinder with through-going piston rod allow a power-supply to the sealing bar.

## Vacuum Cylinder

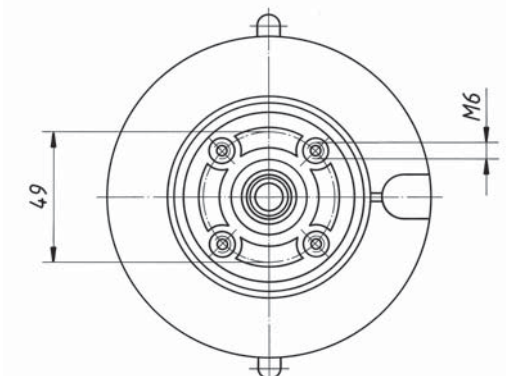
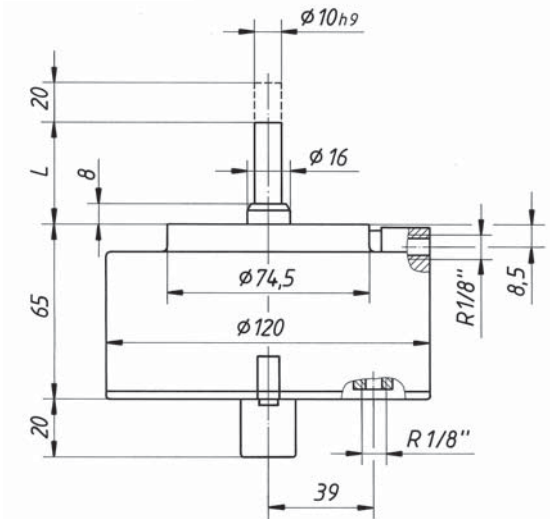
## Type 06.0.00.110. ...

### → Technical data.

Function	single-acting with spring returning
Connection 1	R 1/8"
Connection 2	R 1/8"
Piston diameter	110 mm
Cylinder power	850 N max.
Stroke	20 mm
Operation pressure	vacuum max. 99,9 %
Securing	with 4 screws M 6
Piston rod	through-going or one-sided



90° turned through

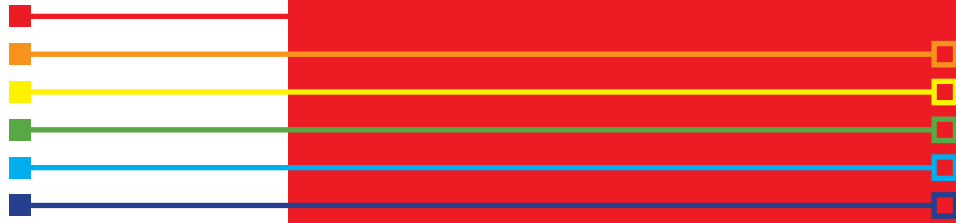


### → Specials/Features.

Cylinder with through-going piston rod allow a power-supply to the sealing bar.

## Vacuum Cylinder





→ **Meßner GmbH & Co. KG**  
Echternhagen 7  
32689 Kalletal - Germany  
phone +49 5264.640-0  
fax +49 5264.640-135  
info@messner-pumpen.de



© Meßner 04/2007 - Art.-No. 232/000106  
We reserve the right to make changes for further technical improvement.